

MJ Industries

SYSTEM 3000

Detail / Price List S4

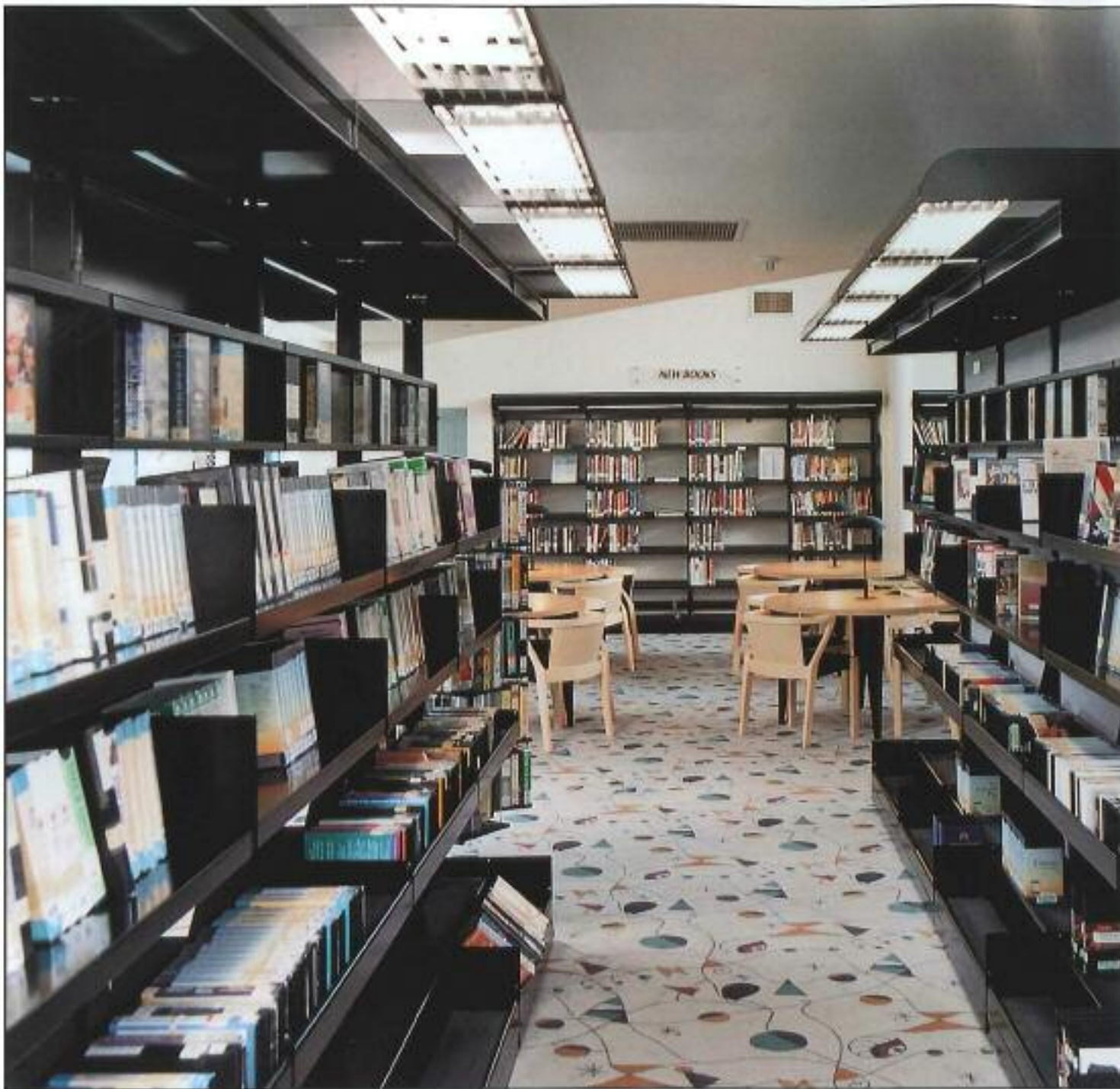
May 2005

Increase Prices 25%

Effective 06/01/08

Table of Contents

Backstop	21
Bag Rack	29
Basic Components.....	5
Brackets for Wood Tops/Ends	34
Browsing Boxes	26-28
Canopy Tops	30-31
Closed Backs	35
Column Assemblies	14-17
Column Extenders	36
Cross Bars	18
Display System	29
Divider Shelves / Dividers	21
Divider Units	10-11
Double Tier Cassette Shelf	24
End Brackets	38-39
End Panels	32-33
Fillers.....	36
Findable Book Supports.....	34
Fixed Periodical Units	13
Hinged Periodical Units.....	12
Integral Back Units	6-9
Introduction to System 3000	4
Kick Plates	19
Light Fixture	37
Multi-Media Cabinet / Trays	25
Multi-Media Display Shelf	24
Periodical Shelves	22-23
Shelves	20
Sliding Reference Shelves	23
Sliding Door Cabinet	37
Sliding Wire Book Supports	19
Terms and Conditions	Back Cover
Tip-Up Periodical Cabinet	22
Top Tie Struts	39
Wall Column Strips.....	35
Zig Zag Display	29



Front cover and above taken at Mira Mesa Branch Library, City of San Diego, Mira Mesa, California

MJ Industries SYSTEM 3000 Shelving

This library, located in a Seismic Zone 4 Area, was installed throughout with MJ Industries System 3000 Shelving, furnished with MJ standard seismic reinforcing options.

The modular aspects of this shelving system, and the array of specialty accessories, was integral to the success of this installation in meeting the customer's requirements for both innovative multi-media display and storage.

While the Multi-Media/AV Area was complete with fabric-covered back panels to both partition the shelving faces and offer a trackable surface display option, in general, only a limited number of decorative end panels were used, as the geometric shapes inherent in this shelving system resonated with the overall architecture of the building.

Architect: BSHA, Inc., San Diego, CA
Photographer: Don Snipes Photography

Introducing "SYSTEM 3000" as manufactured by MJ Industries

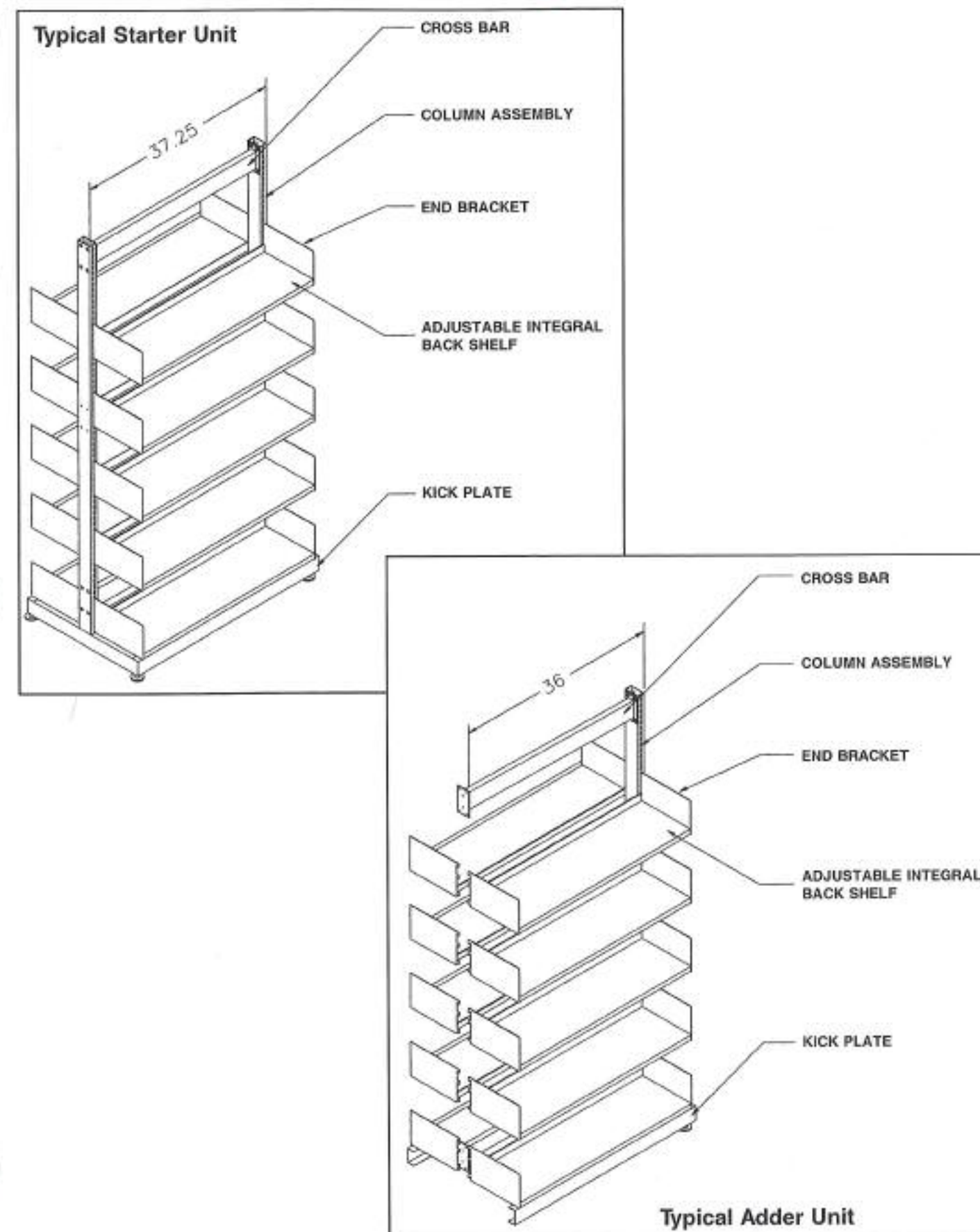
Some of the advantages of System 3000 versus conventional shelving are:

1. More filing space per shelf.
2. Modern/contemporary look of our end brackets and columns eliminates the need for end panels.
3. More usable floor space as the base depth can be the same size as the shelves above.
4. Units can be converted from closed to open base without purchasing additional parts or dismantling the shelving.
5. Accessories and components to meet the needs of today's library can be easily mixed and matched on any section.
6. Our state-of-the-art powder coating paint system gives us the most durable paint finish in the industry. Special colors can be matched to please even the most discriminating eye.
7. On time delivery. Most deliveries can be made in eight to ten weeks after receipt of order.
8. All this and you still get the quality that has become synonymous with the MJ Industries name.

We have a nationwide sales organization which is fully trained to assist you with your library planning.

Contact MJ Industries for the name of your local representative.

Basic Components



SYSTEM 3000

Single Face Units

Integral Back Shelves

3 Adjustable Shelves — 42" High

CATALOG NO.	SHELF	WEIGHT	PRICE
S3-36090942-S	9	51	\$300.76
S3-36090942-A	9	43½	246.05
S3-36101042-S	10	53½	303.75
S3-36101042-A	10	45½	248.23
S3-36111142-S	11	55	326.25
S3-36111142-A	11	47	270.03
S3-36131342-S	13	60½	333.06
S3-36131342-A	13	52	276.03
S3-36171742-S	17	69	381.49
S3-36171742-A	17	60	321.60

42"
High

4 Adjustable Shelves — 60" High

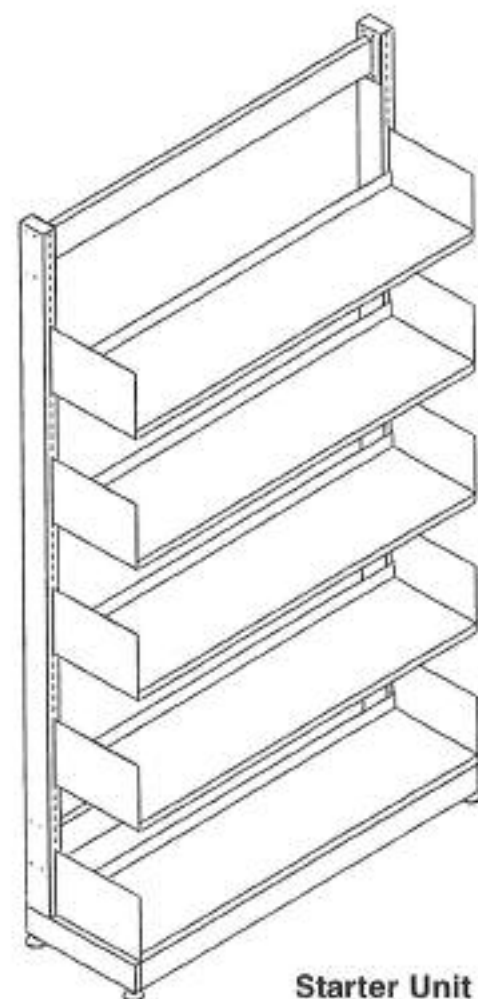
CATALOG NO.	SHELF	WEIGHT	PRICE
S3-36090960-S	9	65½	\$372.70
S3-36090960-A	9	54½	300.76
S3-36101060-S	10	68½	376.31
S3-36101060-A	10	57	303.54
S3-36111160-S	11	70½	405.69
S3-36111160-A	11	59	332.23
S3-36131360-S	13	77½	414.24
S3-36131360-A	13	65½	339.88
S3-36171760-S	17	88½	476.74
S3-36171760-A	17	76	399.69

60"
High

5 Adjustable Shelves — 66" High

CATALOG NO.	SHELF	WEIGHT	PRICE
S3-36090966-S	9	73	\$413.18
S3-36090966-A	9	62	339.73
S3-36101066-S	10	77½	417.38
S3-36101066-A	10	65½	343.03
S3-36111166-S	11	80	453.65
S3-36111166-A	11	68	378.71
S3-36131366-S	13	88½	464.00
S3-36131366-A	13	76	388.16
S3-36171766-S	17	102	540.83
S3-36171766-A	17	89	462.20

66"
High



Starter Unit

Single Face Units ... continued

5 Adjustable Shelves — 72" High

CATALOG NO.	SHELF	WEIGHT	PRICE
S3-36090972-S	9	77	\$429.67
S3-36090972-A	9	64	347.98
S3-36101072-S	10	80½	433.42
S3-36101072-A	10	67	351.05
S3-36111172-S	11	83	470.14
S3-36111172-A	11	69½	386.95
S3-36131372-S	13	91½	479.88
S3-36131372-A	13	77½	396.09
S3-36171772-S	17	105	555.86
S3-36171772-A	17	90½	470.22

72"
High

6 Adjustable Shelves — 78" High

CATALOG NO.	SHELF	WEIGHT	PRICE
S3-36090978-S	9	85½	\$470.14
S3-36090978-A	9	72	386.95
S3-36101078-S	10	89½	474.56
S3-36101078-A	10	75½	390.56
S3-36111178-S	11	92½	518.11
S3-36111178-A	11	78½	433.42
S3-36131378-S	13	102½	529.72
S3-36131378-A	13	88	444.36
S3-36171778-S	17	118½	620.94
S3-36171778-A	17	103½	532.73

78"
High

7 Adjustable Shelves — 84" High

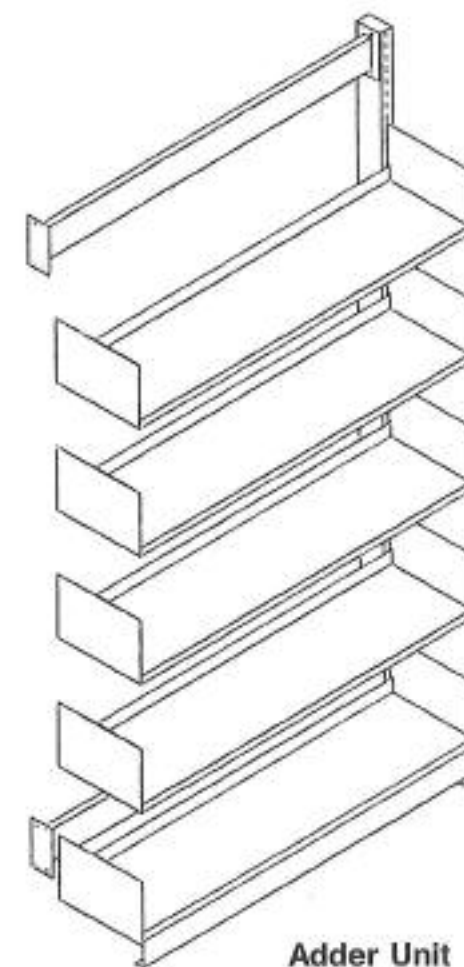
CATALOG NO.	SHELF	WEIGHT	PRICE
S3-36090984-S	9	94	\$512.11
S3-36090984-A	9	80	426.68
S3-36101084-S	10	98½	516.53
S3-36101084-A	10	84	430.57
S3-36111184-S	11	102	567.58
S3-36111184-A	11	87½	480.63
S3-36131384-S	13	113½	580.62
S3-36131384-A	13	98½	493.15
S3-36171784-S	17	132	686.22
S3-36171784-A	17	116½	595.91

84"
High

7 Adjustable Shelves — 90" High

CATALOG NO.	SHELF	WEIGHT	PRICE
S3-36090990-S	9	96	\$521.10
S3-36090990-A	9	81	431.17
S3-36101090-S	10	102½	525.61
S3-36101090-A	10	85	435.06
S3-36111190-S	11	104	576.57
S3-36111190-A	11	88½	485.12
S3-36131390-S	13	115½	590.28
S3-36131390-A	13	99½	498.03
S3-36171790-S	17	134	694.62
S3-36171790-A	17	117½	600.11

90"
High



Adder Unit

NOTE: Starter unit includes two column assemblies, cross bars, kick plate, integral back shelves, and end brackets. Adder unit is the same as a starter except it includes only one column assembly. All shelf sizes are nominal.

Book supports must be ordered separately.

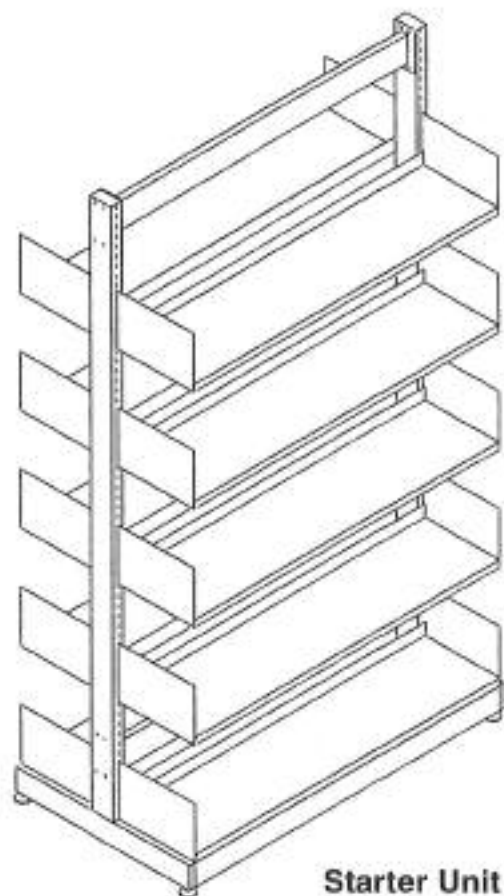
Double Face Units

Integral Back Shelves

6 Adjustable Shelves — 42" High

CATALOG NO.	SHELF	WEIGHT	PRICE
S3-36091842-S	9	78	\$440.24
S3-36091842-A	9	69	377.29
S3-36102042-S	10	82	443.99
S3-36102042-A	10	72½	380.59
S3-36112242-S	11	86	490.15
S3-36112242-A	11	76	424.73
S3-36132642-S	13	96	502.00
S3-36132642-A	13	85½	435.82
S3-36173442-S	17	113	598.91
S3-36173442-A	17	101½	527.04

42"
High



Starter Unit

8 Adjustable Shelves — 60" High

CATALOG NO.	SHELF	WEIGHT	PRICE
S3-36091860-S	9	101	\$549.67
S3-36091860-A	9	88	469.47
S3-36102060-S	10	106	554.98
S3-36102060-A	10	92½	474.03
S3-36112260-S	11	111	614.13
S3-36112260-A	11	97	531.68
S3-36132660-S	13	124	629.63
S3-36132660-A	13	109½	546.29
S3-36173460-S	17	146	755.77
S3-36173460-A	17	130½	666.43

60"
High

10 Adjustable Shelves — 66" High

CATALOG NO.	SHELF	WEIGHT	PRICE
S3-36091866-S	9	118	\$624.62
S3-36091866-A	9	104	544.42
S3-36102066-S	10	124	630.92
S3-36102066-A	10	109½	549.97
S3-36112266-S	11	130	704.07
S3-36112266-A	11	115	621.62
S3-36132666-S	13	146	723.02
S3-36132666-A	13	130½	639.68
S3-36173466-S	17	173	877.64
S3-36173466-A	17	156½	788.38

66"
High

NOTE: Starter unit includes two column assemblies, cross bars, kick plate, integral back shelves, and end brackets. Adder unit is the same as a starter except it includes only one column assembly. All shelf sizes are nominal.

Book supports must be ordered separately.

Double Face Units ... continued

10 Adjustable Shelves — 72" High

CATALOG NO.	SHELF	WEIGHT	PRICE
S3-36091872-S	9	119	\$644.11
S3-36091872-A	9	104½	554.17
S3-36102072-S	10	125	650.10
S3-36102072-A	10	110	559.56
S3-36112272-S	11	131	723.85
S3-36112272-A	11	115½	631.51
S3-36132672-S	13	147	742.50
S3-36132672-A	13	131	649.42
S3-36173472-S	17	174	896.22
S3-36173472-A	17	157	797.60

72"
High

12 Adjustable Shelves — 78" High

CATALOG NO.	SHELF	WEIGHT	PRICE
S3-36091878-S	9	135	\$722.05
S3-36091878-A	9	120	630.61
S3-36102078-S	10	142	729.09
S3-36102078-A	10	126½	637.06
S3-36112278-S	11	149	816.93
S3-36112278-A	11	133	723.02
S3-36132678-S	13	168	839.04
S3-36132678-A	13	151½	744.37
S3-36173478-S	17	200	1021.24
S3-36173478-A	17	182½	921.03

78"
High

14 Adjustable Shelves — 84" High

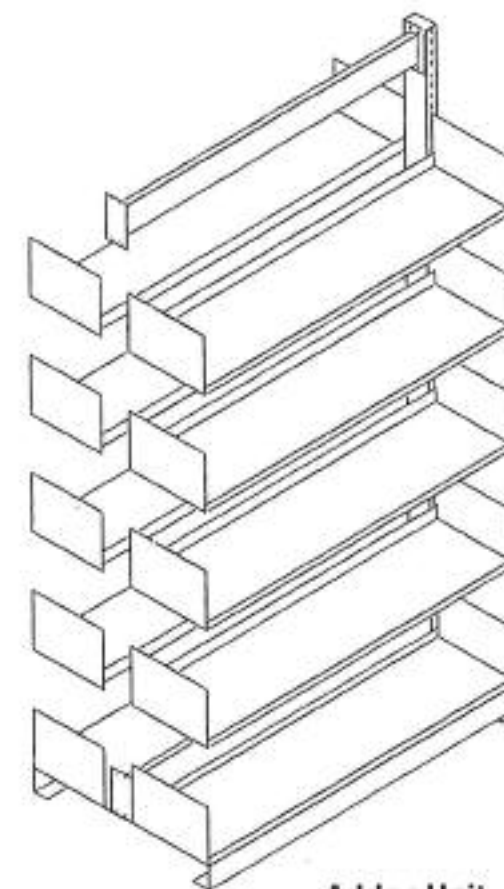
CATALOG NO.	SHELF	WEIGHT	PRICE
S3-36091884-S	9	152	\$772.27
S3-36091884-A	9	136	707.06
S3-36102084-S	10	160	808.46
S3-36102084-A	10	143½	714.70
S3-36112284-S	11	167	910.92
S3-36112284-A	11	150½	814.99
S3-36132684-S	13	189	936.47
S3-36132684-A	13	172	839.79
S3-36173484-S	17	227	1147.52
S3-36173484-A	17	208½	1045.14

84"
High

14 Adjustable Shelves — 90" High

CATALOG NO.	SHELF	WEIGHT	PRICE
S3-36091890-S	9	153	\$808.99
S3-36091890-A	9	136½	711.55
S3-36102090-S	10	161	817.15
S3-36102090-A	10	144	719.05
S3-36112290-S	11	169	919.91
S3-36112290-A	11	151½	819.48
S3-36132690-S	13	191	945.16
S3-36132690-A	13	173	844.14
S3-36173490-S	17	228	1156.22
S3-36173490-A	17	209	1049.57

90"
High



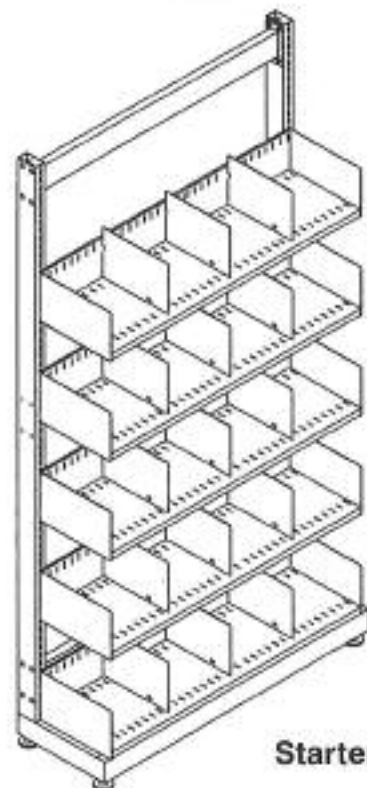
Adder Unit

Single Face Divider Units

3 Divider Shelves — 42" High

CATALOG NO.	SHELF	WEIGHT	PRICE
S3-D36101042-S	10	81	\$386.11
S3-D36101042-A	10	73	330.64
S3-D36131342-S	13	91	461.84
S3-D36131342-A	13	82½	404.80

42"
High



Starter Unit

4 Divider Shelves — 60" High

CATALOG NO.	SHELF	WEIGHT	PRICE
S3-D36101060-S	10	105	\$486.15
S3-D36101060-A	10	93½	413.37
S3-D36131360-S	13	118	585.94
S3-D36131360-A	13	106	511.66

60"
High

5 Divider Shelves — 66" High

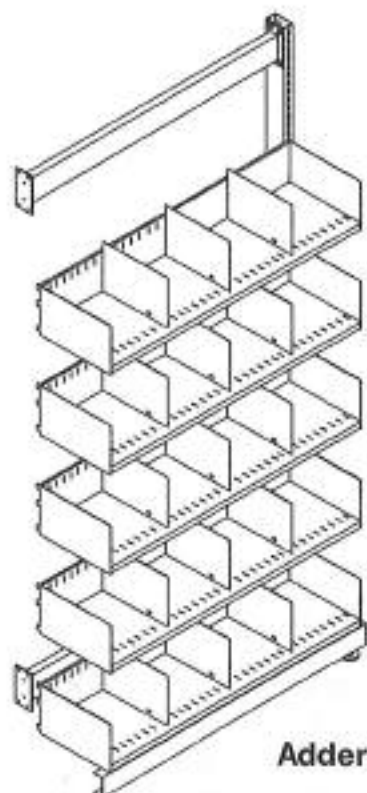
CATALOG NO.	SHELF	WEIGHT	PRICE
S3-D36101066-S	10	123	\$554.70
S3-D36101066-A	10	111	480.35
S3-D36131366-S	13	139	678.69
S3-D36131366-A	13	126½	602.85

66"
High

6 Divider Shelves — 78" High

CATALOG NO.	SHELF	WEIGHT	PRICE
S3-D36101078-S	10	144	\$639.30
S3-D36101078-A	10	130	555.37
S3-D36131378-S	13	163	787.35
S3-D36131378-A	13	148½	701.99

78"
High



Adder Unit

7 Divider Shelves — 90" High

CATALOG NO.	SHELF	WEIGHT	PRICE
S3-D36101090-S	10	164	\$717.78
S3-D36101090-A	10	148½	627.31
S3-D36131390-S	13	186	853.36
S3-D36131390-A	13	170	761.09

90"
High

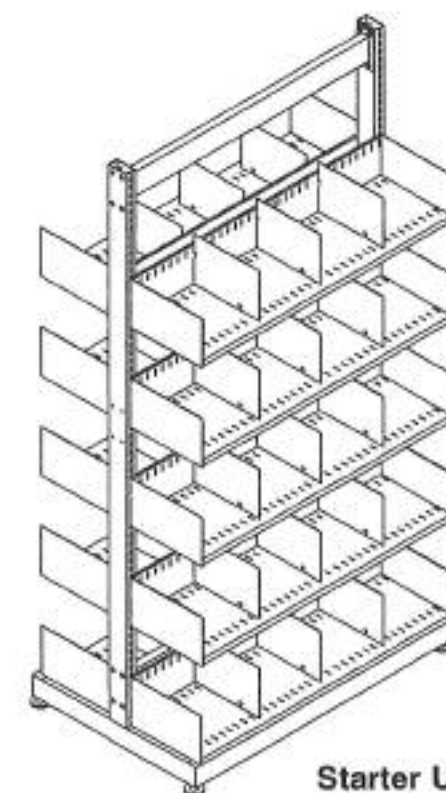
NOTE: Starter unit includes two column assemblies, cross bars, kick plate, divider shelf with three dividers per shelf, and end brackets. Adder unit is the same as a starter except it includes only one column assembly. All shelf sizes are nominal.

Double Face Divider Units

6 Divider Shelves — 42" High

CATALOG NO.	SHELF	WEIGHT	PRICE
S3-D36102042-S	10	136	\$608.81
S3-D36102042-A	10	126½	545.40
S3-D36132642-S	13	156	759.55
S3-D36132642-A	13	145½	693.37

42"
High



Starter Unit

8 Divider Shelves — 60" High

CATALOG NO.	SHELF	WEIGHT	PRICE
S3-D36102060-S	10	178	\$774.71
S3-D36102060-A	10	164½	693.77
S3-D36132660-S	13	204	973.11
S3-D36132660-A	13	189½	889.77

60"
High

10 Divider Shelves — 66" High

CATALOG NO.	SHELF	WEIGHT	PRICE
S3-D36102066-S	10	214	\$905.55
S3-D36102066-A	10	199½	824.61
S3-D36132666-S	13	246	1152.34
S3-D36132666-A	13	230½	1069.00

66"
High

12 Divider Shelves — 78" High

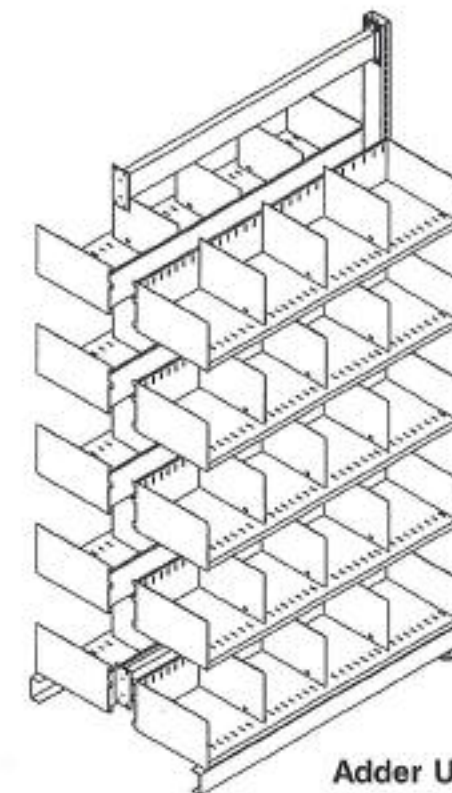
CATALOG NO.	SHELF	WEIGHT	PRICE
S3-D36102078-S	10	250	\$1058.57
S3-D36102078-A	10	234½	966.54
S3-D36132678-S	13	288	1354.23
S3-D36132678-A	13	271½	1259.56

78"
High

14 Divider Shelves — 90" High

CATALOG NO.	SHELF	WEIGHT	PRICE
S3-D36102090-S	10	287	\$1201.55
S3-D36102090-A	10	270	1103.45
S3-D36132690-S	13	331	1546.19
S3-D36132690-A	13	313	1445.16

90"
High



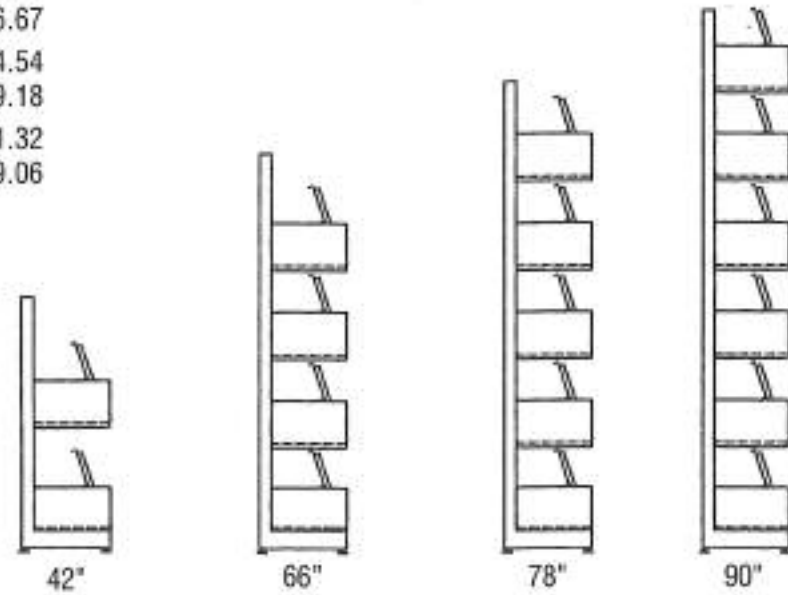
Adder Unit

NOTE: Starter unit includes two column assemblies, cross bars, kick plates, divider shelf with three dividers per shelf, and end brackets. Adder unit is the same as a starter except it includes only one column assembly. All shelf sizes are nominal.

Hinged Periodical Units

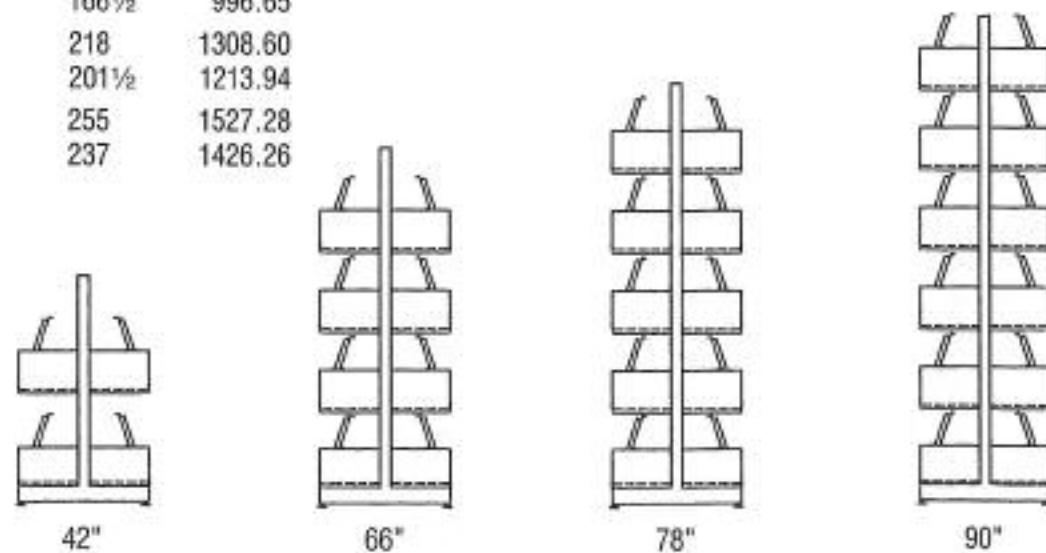
Single Face

CATALOG NO.	SHELF	WEIGHT	PRICE
S3-H36141442-S	14	65	\$398.94
S3-H36141442-A	14	56½	341.91
S3-H36141466-S	14	107	642.52
S3-H36141466-A	14	94½	566.67
S3-H36141478-S	14	128½	764.54
S3-H36141478-A	14	114	679.18
S3-H36141490-S	14	148	881.32
S3-H36141490-A	14	132	789.06



Double Face

CATALOG NO.	SHELF	WEIGHT	PRICE
S3-H36142842-S	14	104	\$633.76
S3-H36142842-A	14	93½	567.58
S3-H36142866-S	14	182	1079.99
S3-H36142866-A	14	166½	996.65
S3-H36142878-S	14	218	1308.60
S3-H36142878-A	14	201½	1213.94
S3-H36142890-S	14	255	1527.28
S3-H36142890-A	14	237	1426.26

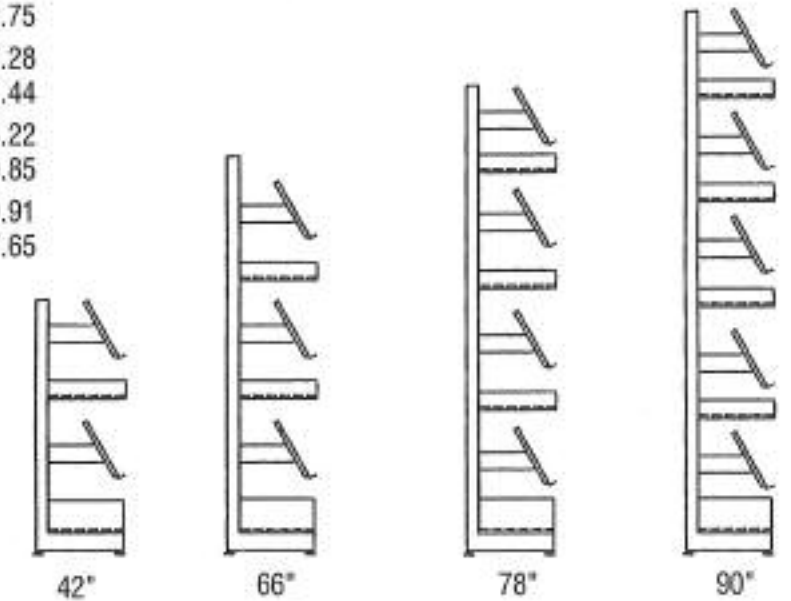


NOTE: Starter unit includes two column assemblies, cross bars, kick plate, hinged periodical shelves and end brackets. Adder unit is the same as a starter except it includes only one column assembly. All shelf sizes are nominal.

Fixed Periodical Units

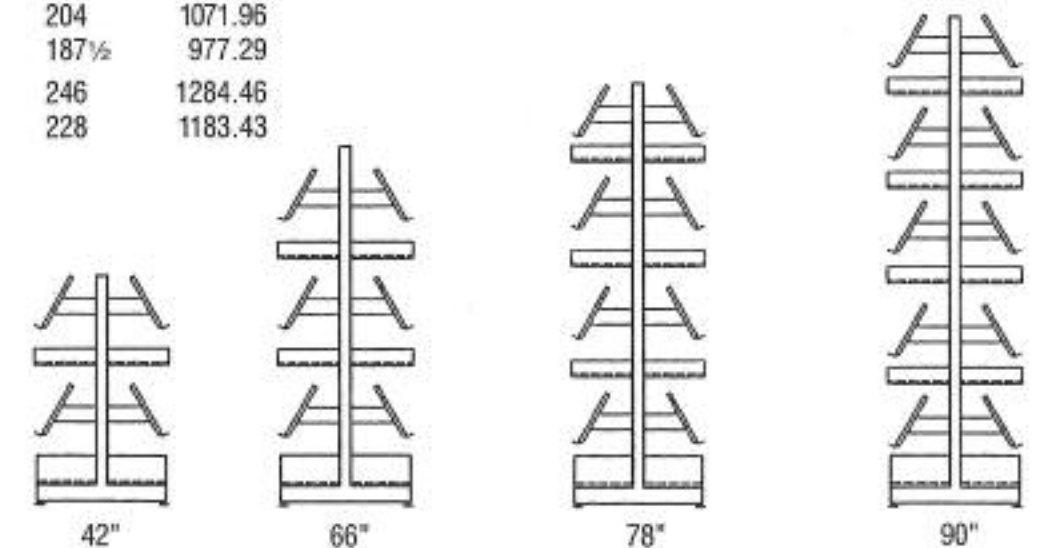
Single Face

CATALOG NO.	SHELF	WEIGHT	PRICE
S3-F36131342-S	13	70	\$389.78
S3-F36131342-A	13	61½	332.75
S3-F36131366-S	13	97½	527.28
S3-F36131366-A	13	85	451.44
S3-F36131378-S	13	121	646.22
S3-F36131378-A	13	106½	560.85
S3-F36131390-S	13	143½	759.91
S3-F36131390-A	13	127½	667.65



Double Face

CATALOG NO.	SHELF	WEIGHT	PRICE
S3-F36132642-S	13	114	\$615.43
S3-F36132642-A	13	103½	549.25
S3-F36132666-S	13	163	849.53
S3-F36132666-A	13	147½	766.19
S3-F36132678-S	13	204	1071.96
S3-F36132678-A	13	187½	977.29
S3-F36132690-S	13	246	1284.46
S3-F36132690-A	13	228	1183.43



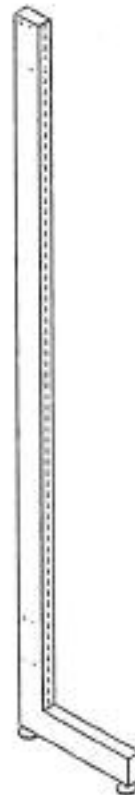
NOTE: Starter unit includes two column assemblies, cross bars, kick plates, fixed periodical shelf, storage shelf and end brackets. Adder unit is the same as a starter except it includes only one column assembly. 30° periodical shelf is furnished unless specified otherwise. All shelf sizes are nominal.

SYSTEM 3000

Components

Single Faced Column Assembly (1¼ x 2½-14 gauge)

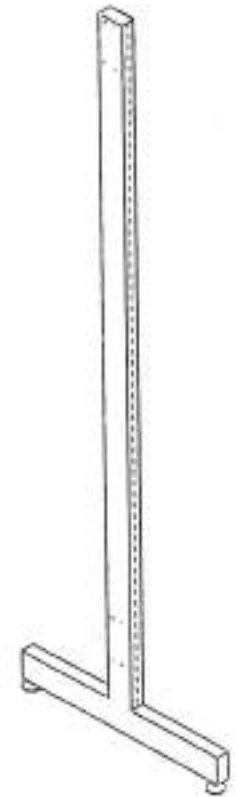
NOMINAL SHELF DEPTH	OVERALL UPRIGHT DEPTH	NOMINAL HEIGHT	CATALOG #	WEIGHT	PRICE
9	10½	42	S3-SCA0942	7½	\$54.71
10	11½	42	S3-SCA1042	8	55.46
11	12½	42	S3-SCA1142	8	56.21
13	14½	42	S3-SCA1342	8½	57.03
14	15½	42	S3-SCA1442	8½	57.03
17	18½	42	S3-SCA1742	9	59.88
9	10½	60	S3-SCA0960	11	71.94
10	11½	60	S3-SCA1060	11½	72.77
11	12½	60	S3-SCA1160	11½	73.44
13	14½	60	S3-SCA1360	12	74.27
14	15½	60	S3-SCA1460	12	74.27
17	18½	60	S3-SCA1760	12½	77.04
9	10½	66	S3-SCA0966	11½	73.44
10	11½	66	S3-SCA1066	12	74.34
11	12½	66	S3-SCA1166	12	74.95
13	14½	66	S3-SCA1366	12½	75.84
14	15½	66	S3-SCA1466	12½	75.84
17	18½	66	S3-SCA1766	13	78.54
9	10½	72	S3-SCA0972	13	81.70
10	11½	72	S3-SCA1072	13½	82.36
11	12½	72	S3-SCA1172	13½	83.20
13	14½	72	S3-SCA1372	14	83.79
14	15½	72	S3-SCA1472	14	83.79
17	18½	72	S3-SCA1772	14½	86.56
9	10½	78	S3-SCA0978	13½	83.20
10	11½	78	S3-SCA1078	14	83.93
11	12½	78	S3-SCA1178	14	84.69
13	14½	78	S3-SCA1378	14½	85.36
14	15½	78	S3-SCA1478	14½	85.36
17	18½	78	S3-SCA1778	15	88.13
9	10½	84	S3-SCA0984	14	85.44
10	11½	84	S3-SCA1084	14½	85.97
11	12½	84	S3-SCA1184	14½	86.94
13	14½	84	S3-SCA1384	15	87.47
14	15½	84	S3-SCA1484	15	87.47
17	18½	84	S3-SCA1784	15½	90.31
9	10½	90	S3-SCA0990	15	89.93
10	11½	90	S3-SCA1090	15½	90.46
11	12½	90	S3-SCA1190	15½	91.43
13	14½	90	S3-SCA1390	16	92.26
14	15½	90	S3-SCA1490	16	92.26
17	18½	90	S3-SCA1790	16½	94.59



NOTE: Actual height of upright is 1" less than the nominal height. This allows for the leveler and 1/4" of adjustment.

Double Faced Column Assembly (1¼ x 2½-14 gauge)

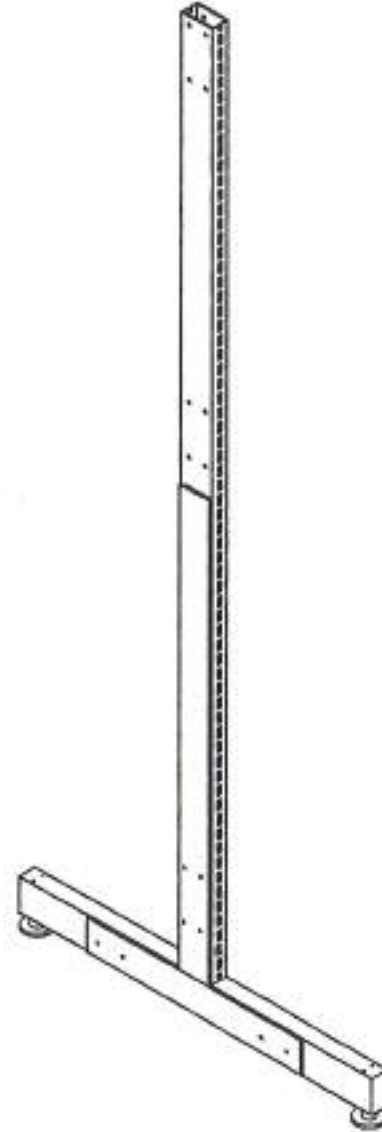
NOMINAL SHELF DEPTH	OVERALL UPRIGHT DEPTH	NOMINAL HEIGHT	CATALOG #	WEIGHT	PRICE
9	18½	42	S3-DCA1842	9	\$62.95
10	20½	42	S3-DCA2042	9½	63.40
11	22½	42	S3-DCA2242	10	65.41
13	26½	42	S3-DCA2642	10½	66.18
14	28½	42	S3-DCA2842	10½	66.18
17	34½	42	S3-DCA3442	11½	71.87
9	18½	60	S3-DCA1860	13	80.20
10	20½	60	S3-DCA2060	13½	80.94
11	22½	60	S3-DCA2260	14	82.43
13	26½	60	S3-DCA2660	14½	83.34
14	28½	60	S3-DCA2860	14½	83.34
17	34½	60	S3-DCA3460	15½	89.34
9	18½	66	S3-DCA1866	14	80.20
10	20½	66	S3-DCA2066	14½	80.94
11	22½	66	S3-DCA2266	15	82.43
13	26½	66	S3-DCA2666	15½	83.34
14	28½	66	S3-DCA2866	15½	83.34
17	34½	66	S3-DCA3466	16½	89.34
9	18½	72	S3-DCA1872	14½	89.93
10	20½	72	S3-DCA2072	15	90.46
11	22½	72	S3-DCA2272	15½	92.33
13	26½	72	S3-DCA2672	16	93.09
14	28½	72	S3-DCA2872	16	93.09
17	34½	72	S3-DCA3472	17	98.62
9	18½	78	S3-DCA1878	15	91.43
10	20½	78	S3-DCA2078	15½	92.03
11	22½	78	S3-DCA2278	16	93.90
13	26½	78	S3-DCA2678	16½	94.66
14	28½	78	S3-DCA2878	16½	94.66
17	34½	78	S3-DCA3478	17½	100.12
9	18½	84	S3-DCA1884	16	92.93
10	20½	84	S3-DCA2084	16½	93.76
11	22½	84	S3-DCA2284	16½	95.93
13	26½	84	S3-DCA2684	17	96.68
14	28½	84	S3-DCA2884	17	96.68
17	34½	84	S3-DCA3484	18½	102.38
9	18½	90	S3-DCA1890	16½	97.43
10	20½	90	S3-DCA2090	17	98.10
11	22½	90	S3-DCA2290	17½	100.42
13	26½	90	S3-DCA2690	18	101.02
14	28½	90	S3-DCA2890	18	101.02
17	34½	90	S3-DCA3490	19	106.72



NOTE: Actual height of upright is 1" less than the nominal height. This allows for the leveler and 1/4" of adjustment.

Double Faced Column Assembly (1¼ x 2½-14 gauge for Seismic Zone 3)

NOMINAL SHELF DEPTH	OVERALL UPRIGHT DEPTH	NOMINAL HEIGHT	CATALOG #	WEIGHT	PRICE
9	18½	72	S3-DCA1872-3	25	\$146.69
10	20½	72	S3-DCA2072-3	26	147.67
11	22½	72	S3-DCA2272-3	27	152.80
13	26½	72	S3-DCA2672-3	28	153.58
14	28½	72	S3-DCA2872-3	29	153.58
17	34½	72	S3-DCA3472-3	31	158.98
9	18½	78	S3-DCA1878-3	25½	148.21
10	20½	78	S3-DCA2078-3	26½	149.21
11	22½	78	S3-DCA2278-3	27½	154.33
13	26½	78	S3-DCA2678-3	28½	155.10
14	28½	78	S3-DCA2878-3	29½	155.10
17	34½	78	S3-DCA3478-3	31½	162.05
9	18½	84	S3-DCA1884-3	26½	149.75
10	20½	84	S3-DCA2084-3	27½	151.12
11	22½	84	S3-DCA2284-3	28½	158.91
13	26½	84	S3-DCA2684-3	29½	160.06
14	28½	84	S3-DCA2884-3	30½	160.06
17	34½	84	S3-DCA3484-3	32½	168.55
9	18½	90	S3-DCA1890-3	28	155.24
10	20½	90	S3-DCA2090-3	29	156.17
11	22½	90	S3-DCA2290-3	30	165.03
13	26½	90	S3-DCA2690-3	31	165.71
14	28½	90	S3-DCA2890-3	32	165.71
17	34½	90	S3-DCA3490-3	34	177.79



NOTE: To meet seismic zone 3 requirements, use the above special column assemblies along with seismic middle crossbar and seismic bottom crossbar as shown on page 18. The top crossbar can be our standard crossbar. In addition to this the units must be floor anchored at the outer end of each upright assembly. A special angle plate is furnished which is attached to the upright assemblies with 1/4" machine bolts. Floor anchors are not included.

Double Faced Column Assembly (1¼ x 2½-14 gauge for Seismic Zone 4)

NOMINAL SHELF DEPTH	OVERALL UPRIGHT DEPTH	NOMINAL HEIGHT	CATALOG #	WEIGHT	PRICE
9	18½	72	S3-DCA1872-4	24	\$265.89
10	20½	72	S3-DCA2072-4	25	267.10
11	22½	72	S3-DCA2272-4	26	268.93
13	26½	72	S3-DCA2672-4	28	269.71
14	28½	72	S3-DCA2872-4	30	269.71
17	34½	72	S3-DCA3472-4	33	275.35
9	18½	78	S3-DCA1878-4	24½	267.41
10	20½	78	S3-DCA2078-4	25½	268.63
11	22½	78	S3-DCA2278-4	26½	269.71
13	26½	78	S3-DCA2678-4	28½	271.30
14	28½	78	S3-DCA2878-4	30½	271.30
17	34½	78	S3-DCA3478-4	33½	276.96
9	18½	84	S3-DCA1884-4	25½	268.93
10	20½	84	S3-DCA2084-4	26½	270.39
11	22½	84	S3-DCA2284-4	27½	272.00
13	26½	84	S3-DCA2684-4	29½	273.37
14	28½	84	S3-DCA2884-4	31½	273.37
17	34½	84	S3-DCA3484-4	34½	279.09
9	18½	90	S3-DCA1890-4	26	273.52
10	20½	90	S3-DCA2090-4	27	274.81
11	22½	90	S3-DCA2290-4	28	276.57
13	26½	90	S3-DCA2690-4	30½	277.80
14	28½	90	S3-DCA2890-4	32	277.80
17	34½	90	S3-DCA3490-4	35	283.60



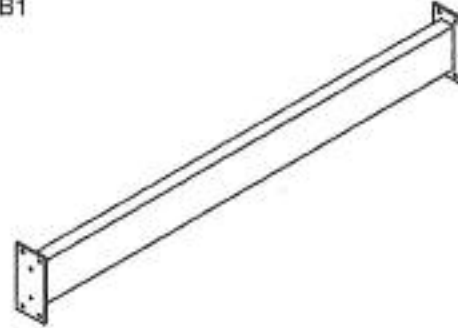
NOTE: To meet seismic zone 4 requirements, use the above special column assemblies along with seismic top and bottom cross bars as shown on page 18. Sway braces must be added at a minimum of every 4th section (call for pricing). In addition to this the units must be floor anchored at the outer end of each upright assembly. A special angle plate is furnished which is attached to the upright assemblies with tek screws. Floor anchors are not included. Must order special kick plates as shown on page 19. Uprights are double slotted instead of single slotted. Gussets are welded to the upright assemblies except at ends of ranges a steel plate is welded to the upright in lieu of a gusset.

Crossbars – 3 x 1 x 14 Gauge Open Channel

CATALOG NO.	SIZE	WEIGHT	PRICE
S3-CROSS30	30	5	\$34.17
S3-CROSS36	36	6	34.17

NOTE: Two crossbars are needed per section. Use in seismic zones 1, 2a, 2b, and on the top in seismic zone 3.

US PATENT # 6,223,916 B1



Crossbars – 3 x 1 x 16 Gauge Open Channel (Seismic Zone 4)

CATALOG NO.	SIZE	WEIGHT	PRICE
S3-CROSS30-4	30	4	\$34.84
S3-CROSS36-4	36	5	34.84

NOTE: Use at the top and the bottom in seismic zone 4 only.

Middle/Bottom Crossbar – 3 x 1 x 14 Gauge Closed Tube (Seismic Zone 3)

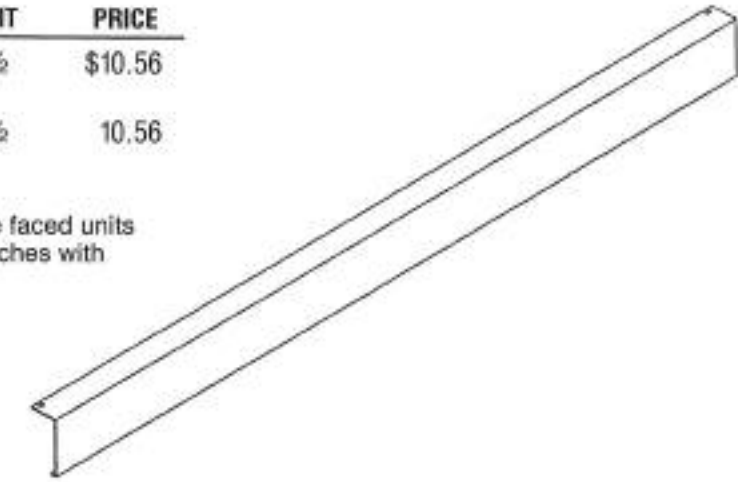
CATALOG NO.	SIZE	WEIGHT	PRICE
S3-CROSS30-3	30	6	\$41.26
S3-CROSS36-3	36	7	41.26

NOTE: Use in the middle and the bottom in seismic zone 3 only.

Kick Plate – 2½" High x 20 Gauge

CATALOG NO.	SIZE	WEIGHT	PRICE
S3-KP30	30	1½	\$10.56
S3-KP36	36	1½	10.56

NOTE: One kick plate is used on single faced units and two on double face. Kick plate attaches with 2 drop in rivets.



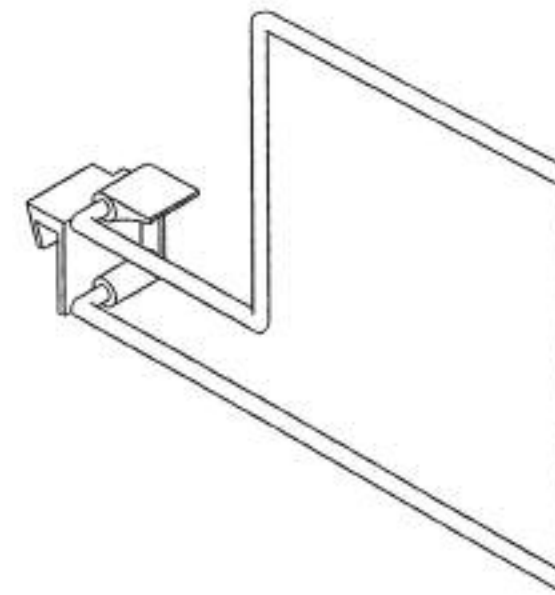
Kick Plate – For Seismic Zone 4

CATALOG NO.	SIZE	WEIGHT	PRICE
S3-KP30-S	30	1½	\$10.76
S3-KP36-S	36	1½	10.76

Used for seismic zone 4 only.

Sliding Wire Book Support

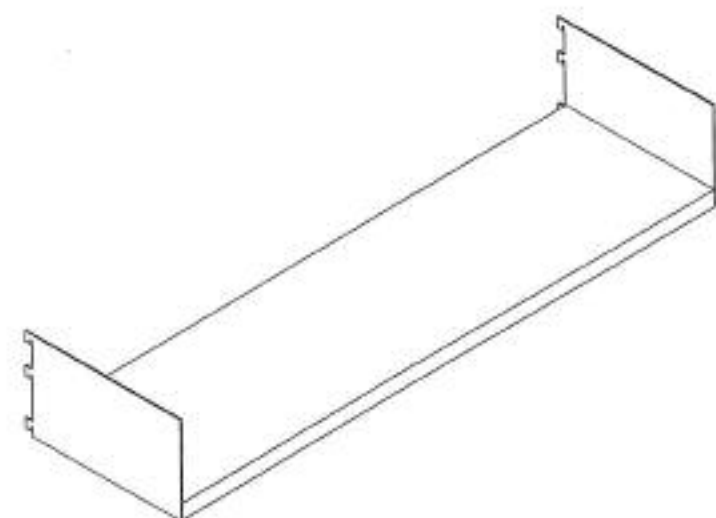
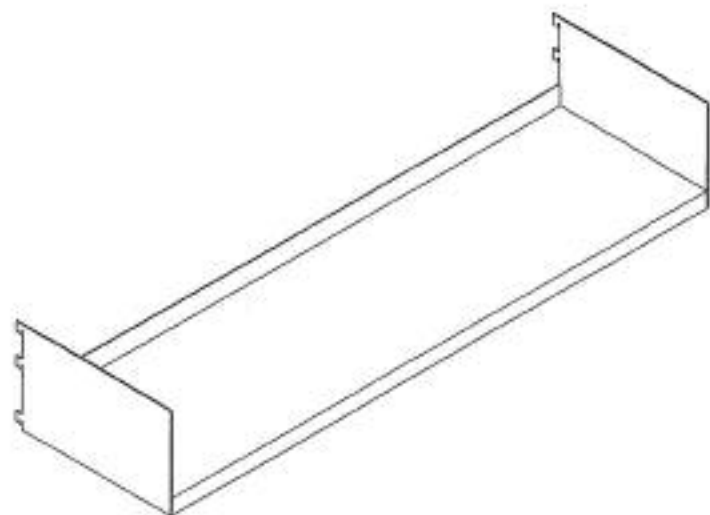
CATALOG NO.	SIZE	WEIGHT	PRICE
S3-SBS6	6 x 6¾	½	\$7.61
S3-SBS8	6 x 8¾	½	7.61



Integral Back Shelves – with 1¼" High Back Edge

CATALOG NO.	NOMINAL SIZE	WEIGHT	PRICE
S3-INT3009	30 x 9	6½	\$37.47
S3-INT3010	30 x 10	7	37.93
S3-INT3011	30 x 11	8	44.97
S3-INT3013	30 x 13	9	46.69
S3-INT3017	30 x 17	11	60.92
S3-INT3609	36 x 9	7½	37.47
S3-INT3610	36 x 10	8	37.93
S3-INT3611	36 x 11	8½	44.97
S3-INT3613	36 x 13	10	46.69
S3-INT3617	36 x 17	12	60.92

NOTE: Includes 6" high flat end brackets. Add an (s) after the catalog number if used with seismic zone 4 column assemblies.



Standard Flat Shelves

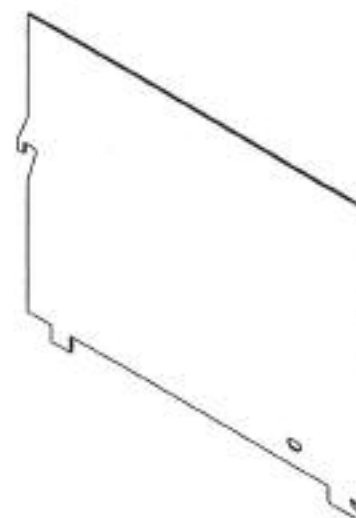
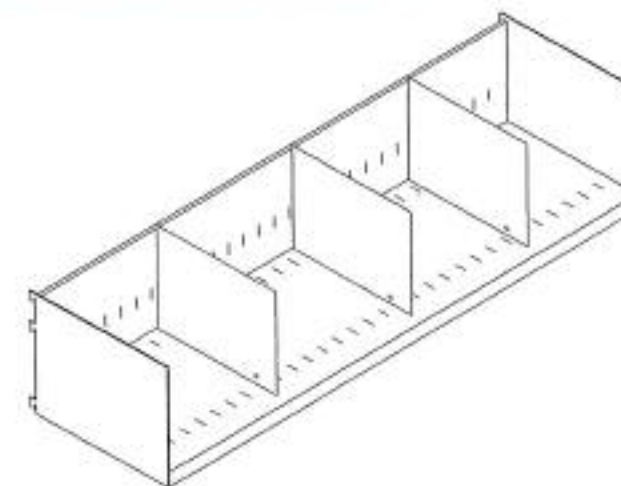
CATALOG NO.	NOMINAL SIZE	WEIGHT	PRICE
S3-AS3009	30 x 9	6½	\$35.60
S3-AS3010	30 x 10	7	36.06
S3-AS3011	30 x 11	8	42.41
S3-AS3013	30 x 13	9	45.01
S3-AS3017	30 x 17	11	59.59
S3-AS3609	36 x 9	7½	35.60
S3-AS3610	36 x 10	8	36.06
S3-AS3611	36 x 11	8½	42.41
S3-AS3613	36 x 13	9	45.01
S3-AS3617	36 x 17	11	59.59

NOTE: Includes 6" high flat end brackets. Add an (s) after the catalog number if used with seismic zone 4 column assemblies.

Divider Shelves (Comes With 3 Dividers Per Shelf)

CATALOG NO.	NOMINAL SIZE	WEIGHT	PRICE
S3-DIV3010	30 x 10	16	\$65.41
S3-DIV3013	30 x 13	19	89.61
S3-DIV3610	36 x 10	17	65.41
S3-DIV3613	36 x 13	20	89.61

NOTE: Includes 8" high flat end brackets



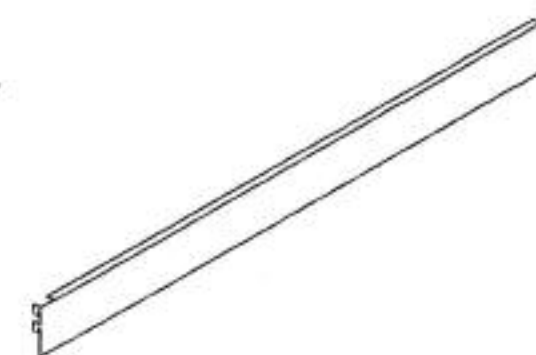
Dividers

CATALOG NO.	NOMINAL SIZE	WEIGHT	PRICE
S3-DIV78	7 x 8	1	\$3.89
S3-DIV711	7 x 11	1	5.36

Adjustable Backstop

CATALOG NO.	SIZE	WEIGHT	PRICE
S3-BSTOP36	36"	2	\$11.07

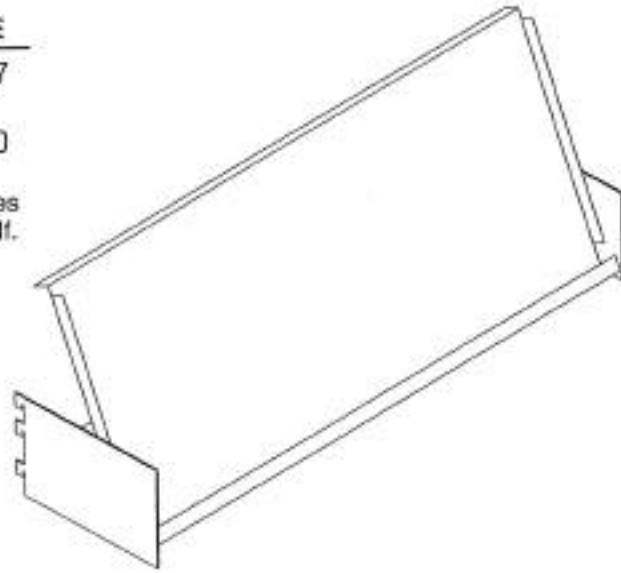
Used with standard flat shelves to prevent material from sliding through to the other side of a double face unit.



Hinged Periodical Shelves With Integral Back Shelf

CATALOG NO.	SIZE	WEIGHT	PRICE
S3-HIN3614	36 x 14	17	\$102.97
S3-HIN3617	36 x 17	20	116.00

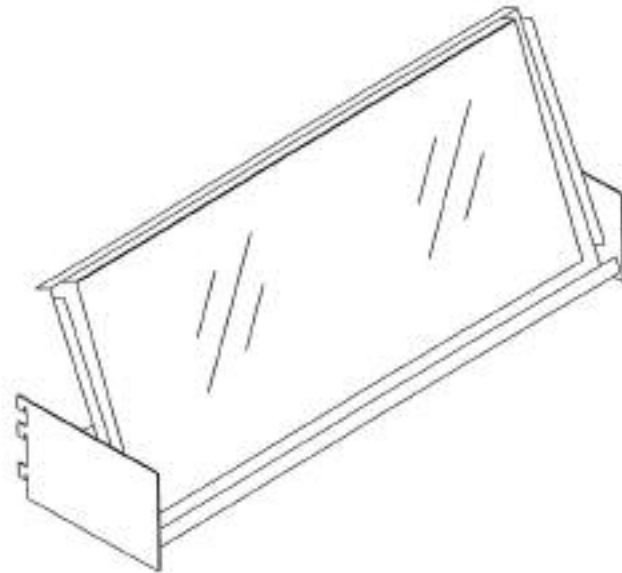
NOTE: Includes 8" high flat end brackets. Back issues are stored out of sight behind the sloped display shelf. Display shelf is 14" high.



Hinged Periodical Shelves With Plexiglass Covers

CATALOG NO.	SIZE	WEIGHT	PRICE
S3-HIN3614PLEX	36 x 14	19	\$263.40
S3-HIN3617PLEX	36 x 17	22	276.43

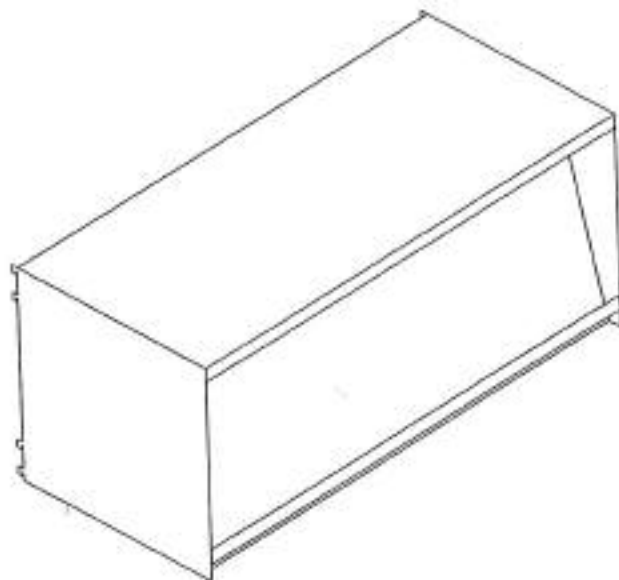
NOTE: Plexiglass can be furnished one or two piece. One piece is furnished unless specified otherwise. Ideal for displaying and storing newspapers.



Tip-Up Periodical Cabinet

CATALOG NO.	SIZE	WEIGHT	PRICE
S3-PERCAB3617	36 x 17	38	\$278.11

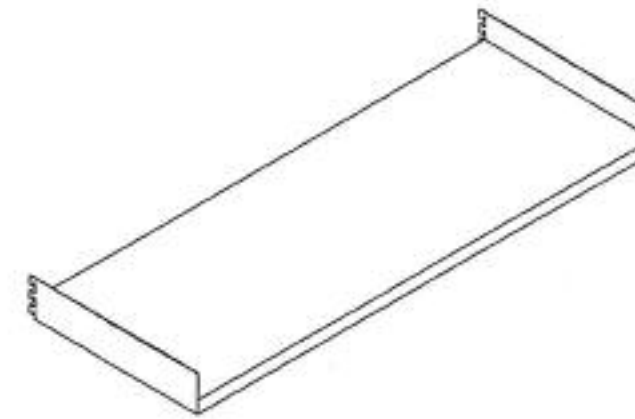
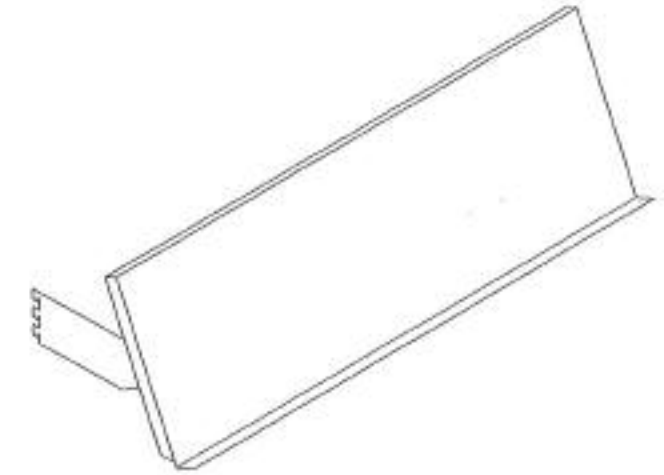
Ideal for increased storage of back issues. Provides up to 12½" of storage height. Ideal for storing back issues in Princeton type boxes. 11 boxes will fit on a shelf.



Fixed Periodical Shelf

CATALOG NO.	SIZE	SLOPE	WEIGHT	PRICE
S3-FIX3613-30	36 x 13	30°	9½	\$50.21
S3-FIX3613-45	36 x 13	45°	9½	50.21

NOTE: Includes brackets. Ideal for displaying periodicals. Back issues are stored on our storage shelf which must be ordered separately. Display shelf is 11" high with 1" front flange.



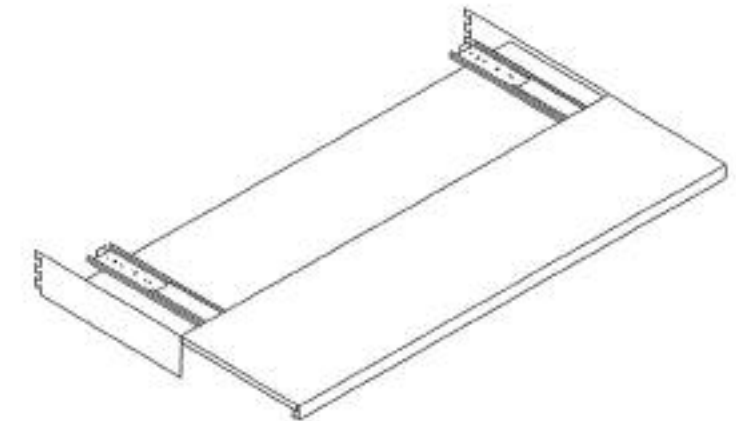
Storage Shelf

CATALOG NO.	SIZE	WEIGHT	PRICE
S3-STOR3612	36 x 12	10	\$49.67

NOTE: Includes brackets. Used in conjunction with fixed periodical shelf for storage of back issues.

Sliding Reference Shelf

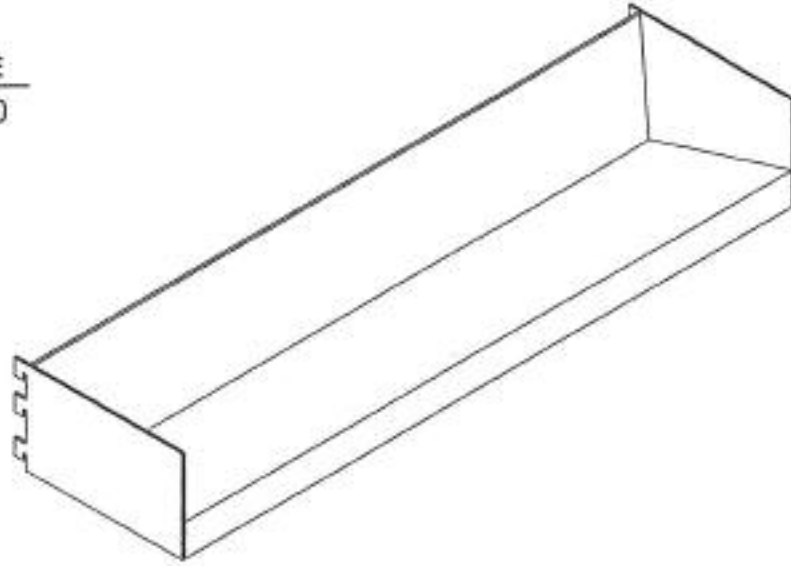
CATALOG NO.	SIZE	WEIGHT	PRICE
S3-REF3609	36 x 9	10	\$170.39
S3-REF3610	36 x 10	10½	268.70
S3-REF3611	36 x 11	11	270.46
S3-REF3613	36 x 13	11	276.34
S3-REF3617	36 x 17	12	293.69



Multi Media Display Shelf

CATALOG NO.	SIZE	WEIGHT	PRICE
S3-PB3609	36 x 9	12	\$87.40

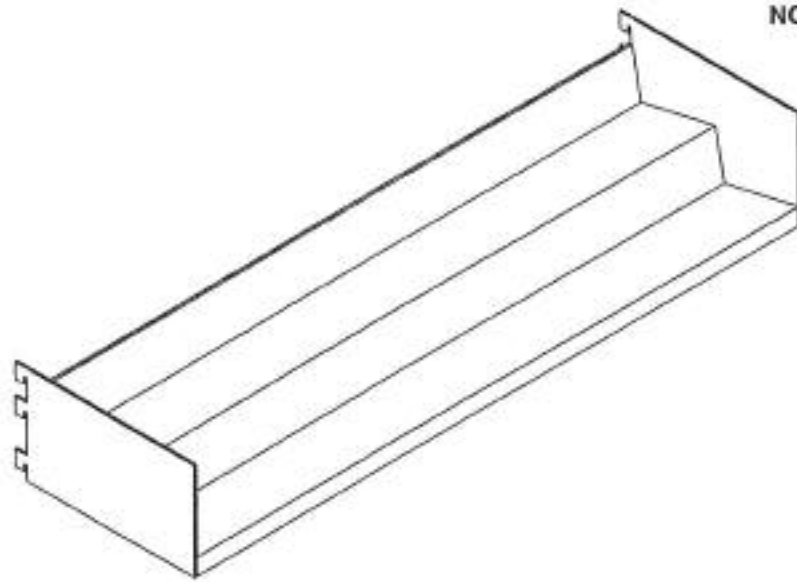
NOTE: Comes complete with 6" high end brackets. Flat surface of shelf measures 6" deep. Ideal for storage/display of CD's, video's and paper back books.



Can also be furnished with slots on 1" centers and 5 dividers. Order as follows:

CATALOG NO.	SIZE	WEIGHT	PRICE
S3-PB3609-DIV	36 x 9	15	\$103.29

Will hold 85 CD's per shelf or 28 video's.



Double Tier Cassette Shelf

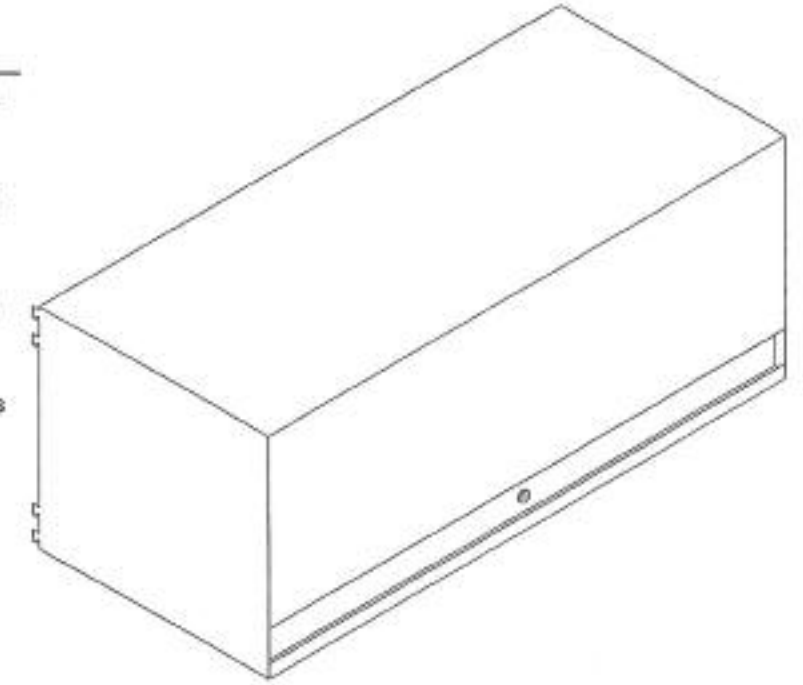
CATALOG NO.	SIZE	WEIGHT	PRICE
S3-DT3610	36 x 10	9½	\$56.27

NOTE: Includes brackets. Will hold 102 cassettes.

Multi-Media Cabinet

CATALOG NO.	SIZE	WEIGHT	PRICE
S3-MMCAB36	36 x 17	53	\$665.94
Includes lock.			
S3-MMCAB36-1	36 x 17	59	749.18
Includes lock and one pull-out frame.			
S3-MMCAB36-2	36 x 17	65	832.43
Includes lock and two pull out frames.			

NOTE: Door slides up and out of view for easy access to storage trays. Trays must be ordered separately. Cabinet measures 36"w x 16"h x 16"d.



Cabinet Storage Trays (Each Tray Comes With One Divider)

CATALOG NO.	SIZE	WEIGHT	PRICE
S3-CASSETTE	3 x 4 ⁷ / ₁₆ x 12 ³ / ₄	3	\$66.59

Each tray will hold 18 audio cassettes. Each pull-out frame will hold 7 trays.

S3-VIDEO	3 ¹ / ₄ x 7 ⁷ / ₈ x 12 ³ / ₄	4	66.59
----------	--	---	-------

Each tray will hold 11 video cassettes. Each pull-out frame will hold 4 trays.

S3-MICROFILM	3 ⁷ / ₈ x 4 x 12 ³ / ₄	3	66.59
--------------	--	---	-------

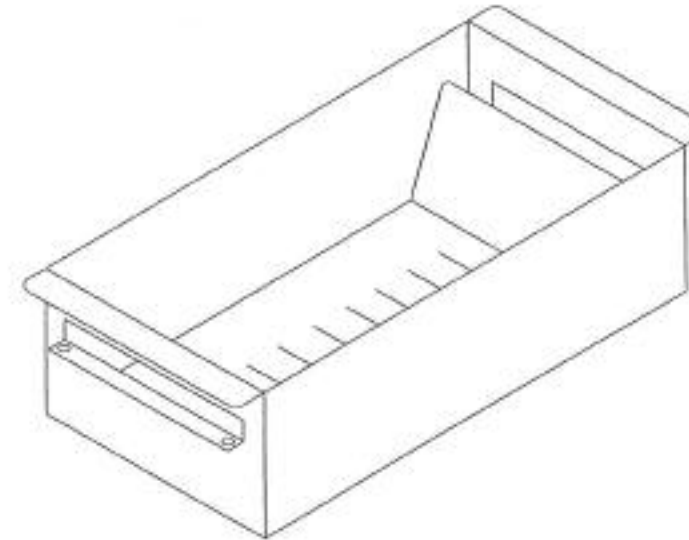
Each tray will hold 7 boxes. Each pull-out frame will hold 8 trays.

S3-MICROFICHE	4 x 6 ¹ / ₈ x 12 ³ / ₄	4	66.59
---------------	--	---	-------

Each tray will hold 905 microfiches. Each pull-out frame will hold 5 trays.

S3-CD	4 ¹ / ₂ x 5 x 12 ³ / ₄	4	66.59
-------	--	---	-------

Each tray will hold 29 CD's. Each pull-out frame will hold 6 trays.

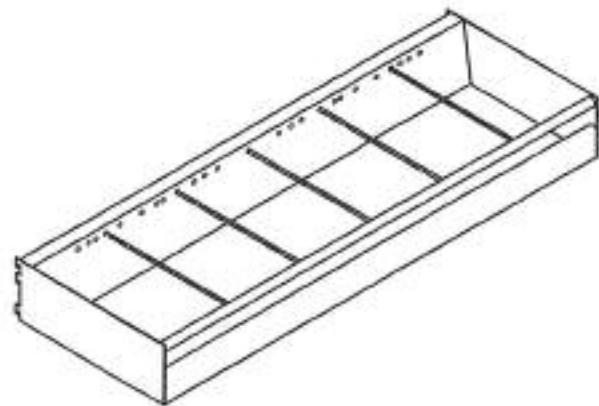
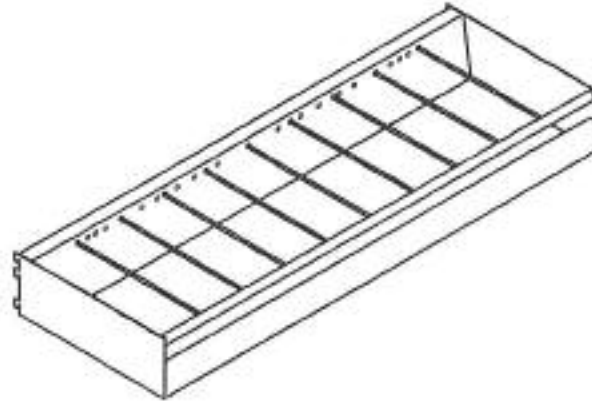


Browsing Boxes for Audio/Visual Media

Single Tier Browsing Box For Audio Cassettes

CATALOG NO.	SIZE	WEIGHT	PRICE
S3-STBROWSE3613-AC	36 x 13 x 4	17	\$249.72

Box has 10 compartments for audio cassettes.
Capacity: 120 audio cassettes.



Single Tier Browsing Box for CD's

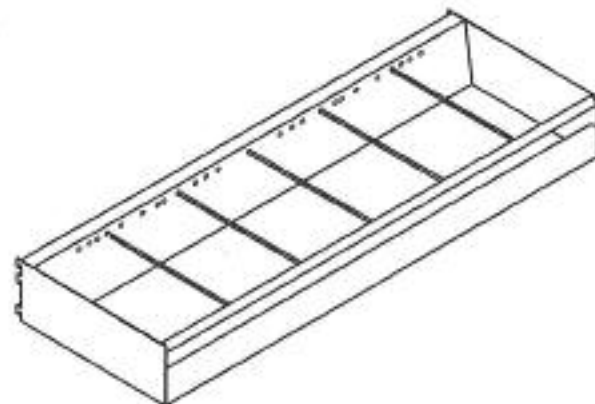
CATALOG NO.	SIZE	WEIGHT	PRICE
S3-STBROWSE3613-CD	36 x 13 x 4	17	\$249.72

Box has 6 compartments for CD's.
Capacity: 114 CD's.

Single Tier Browsing Box for Video Tapes

CATALOG NO.	SIZE	WEIGHT	PRICE
S3-STBROWSE3613-VT	36 x 13 x 4	17	\$249.72

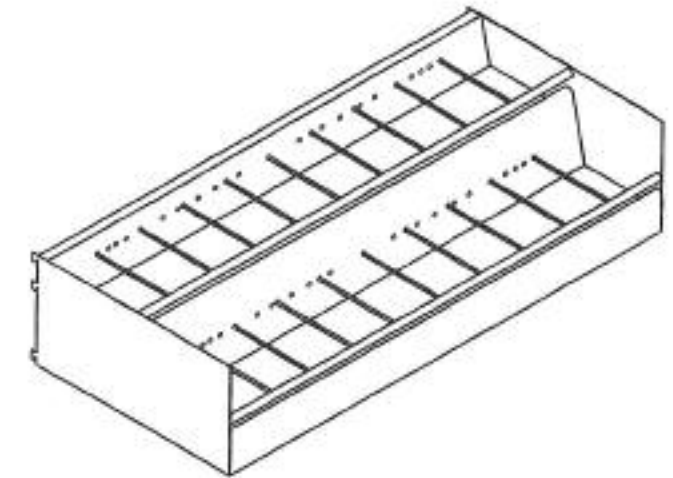
Box has 6 compartments for video tapes.
Capacity: 48 video tapes.



Double Tier Browsing Box For Audio Cassettes

CATALOG NO.	SIZE	WEIGHT	PRICE
S3-DTBROWSE3617-AC	36 x 17 x 8	29	\$399.56

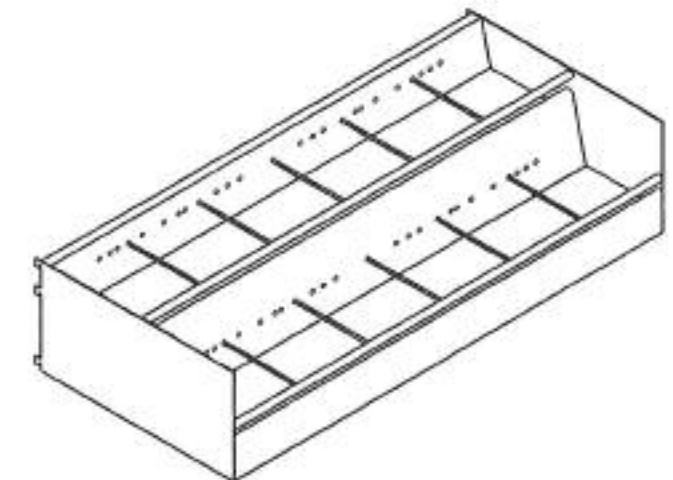
Box has 20 compartments for audio cassettes.
Capacity: 160 audio cassettes.



Double Tier Browsing Box For CD's

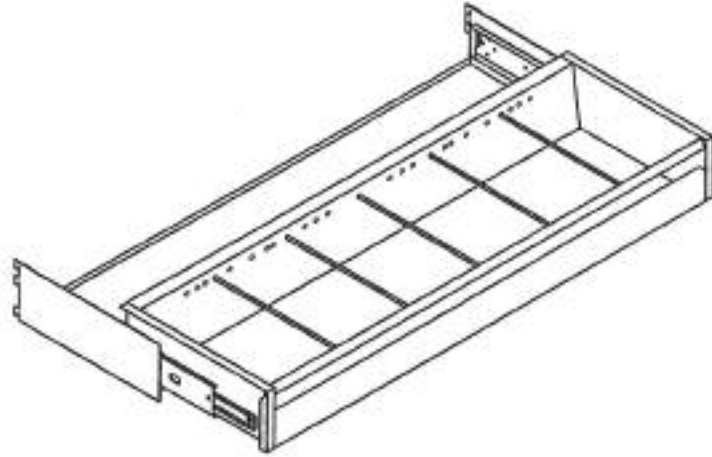
CATALOG NO.	SIZE	WEIGHT	PRICE
S3-DTBROWSE3617-CD	36 x 17 x 8	29	\$399.56

Box has 12 compartments for CD's.
Capacity: 144 CD's.

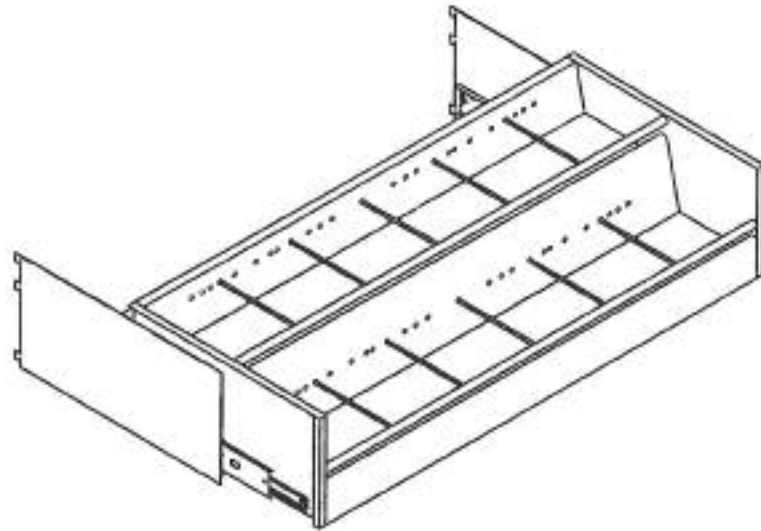


All of our browsing boxes are designed to be adjustable in the field. The front rod can be removed by unscrewing two screws. Cross rods can be easily adjusted by simply moving them to the desired position.

All of our browsing boxes can be made in a pull out design. Capacities are the same as the regular browsing box. Simply add the letters PO after the catalog numbers listed on the previous pages.



Single Tier Pull-out Browsing Box \$464.55

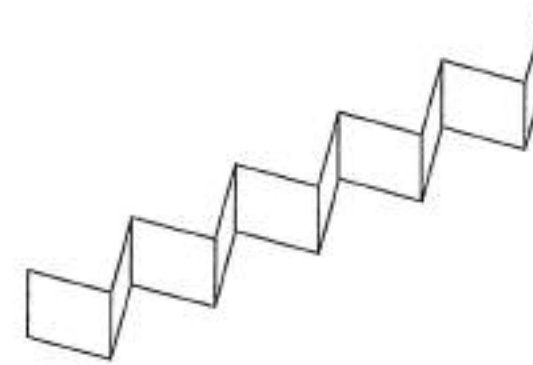
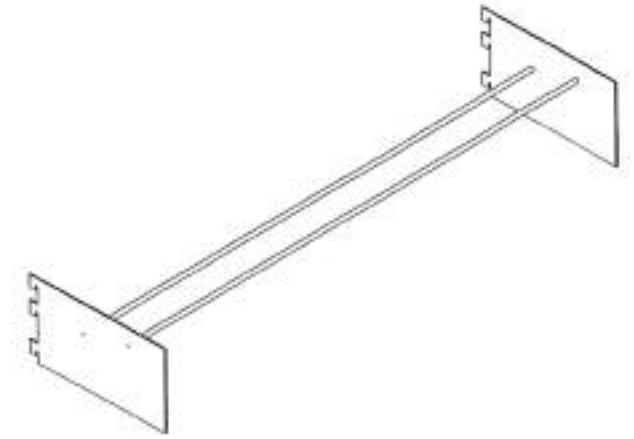


Double Tier Pull-out Browsing Box \$635.18

Hang-Up Bag Rack

CATALOG NO.	SIZE	WEIGHT	PRICE
S3-BAG3612	36 x 12	4	\$56.59

Rods measure 7/16" in diameter. Hang-up bags hang on front rod. Back rod prevents bags from swinging. Will accept most size bags. Ideal for storage of odd size materials.



Zig-Zag Display

CATALOG NO.	SIZE	WEIGHT	PRICE
S3-ZIGZAG36	36 x 4	3	\$34.49

NOTE: Includes zig-zag only. Shelf must be ordered separately. Attaches to shelf with small angle brackets and double sided tape.

Display System

CATALOG NO.	SIZE	WEIGHT	PRICE
S3-DIS3606-AC	36 x 5 ⁵ / ₈	6	\$92.84
S3-DIS3607-CD	36 x 5 ¹¹ / ₁₆	7	96.13
S3-DIS3609-VT	36 x 8 ⁷ / ₈	10	103.25

Used to display cassettes, CD's, video's in an upright position. Ideal for use above browsing boxes.

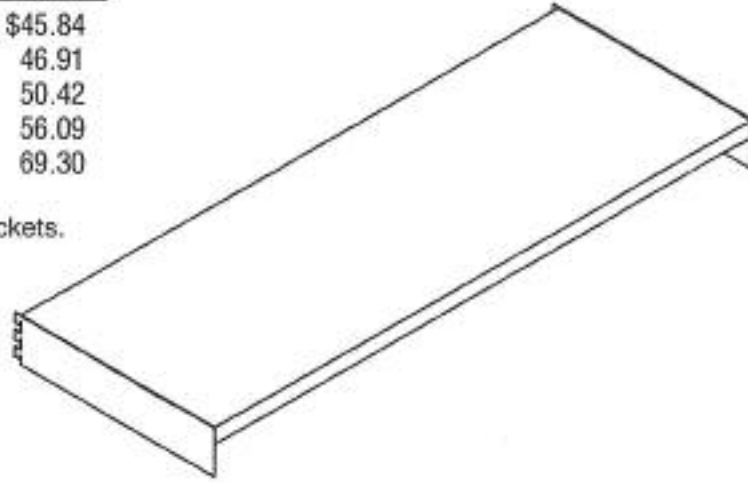


Steel Canopy Tops (For Starter Unit)

Single Faced

CATALOG NO.	SIZE	WEIGHT	PRICE
S3-TOP3609-S	36 x 9	6	\$45.84
S3-TOP3610-S	36 x 10	6½	46.91
S3-TOP3611-S	36 x 11	7	50.42
S3-TOP3613-S	36 x 13	8	56.09
S3-TOP3617-S	36 x 17	9½	69.30

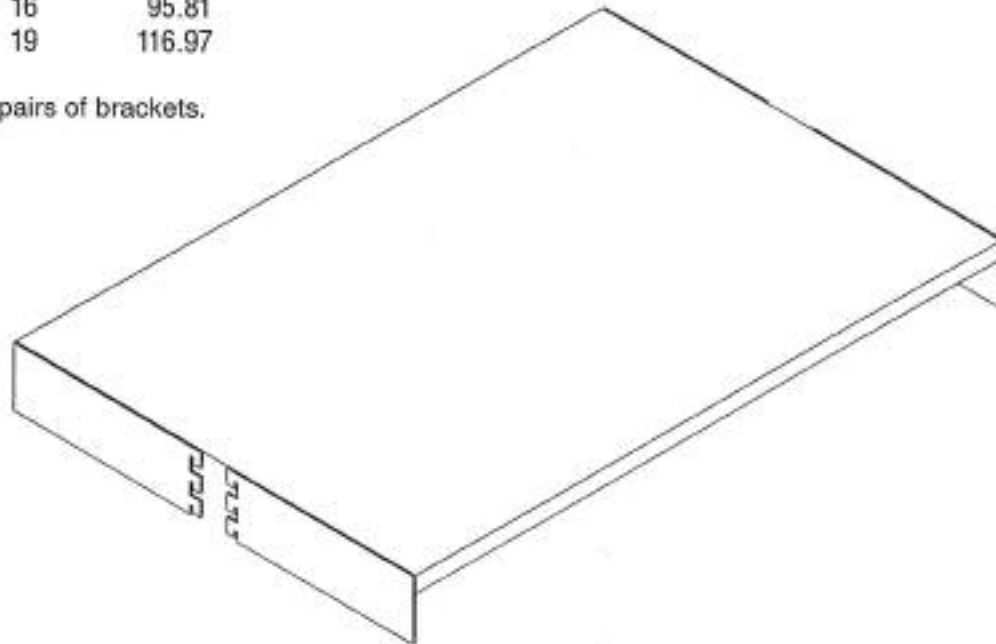
Starter canopy top comes with 1 pair of brackets.



Double Faced

CATALOG NO.	SIZE	WEIGHT	PRICE
S3-TOP3618-S	36 x 18	12	\$77.93
S3-TOP3620-S	36 x 20	13	78.69
S3-TOP3622-S	36 x 22	14	87.09
S3-TOP3626-S	36 x 26	16	95.81
S3-TOP3634-S	36 x 34	19	116.97

Starter canopy top comes with 2 pairs of brackets.

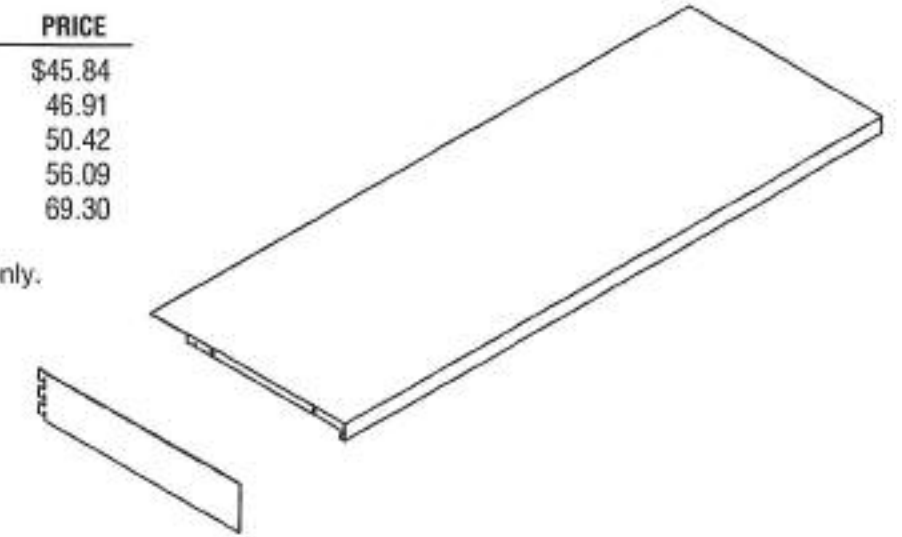


Steel Canopy Tops (For Adder Unit)

Single Faced

CATALOG NO.	SIZE	WEIGHT	PRICE
S3-TOP3609-A	36 x 9	5	\$45.84
S3-TOP3610-A	36 x 10	5½	46.91
S3-TOP3611-A	36 x 11	6	50.42
S3-TOP3613-A	36 x 13	7	56.09
S3-TOP3617-A	36 x 17	8½	69.30

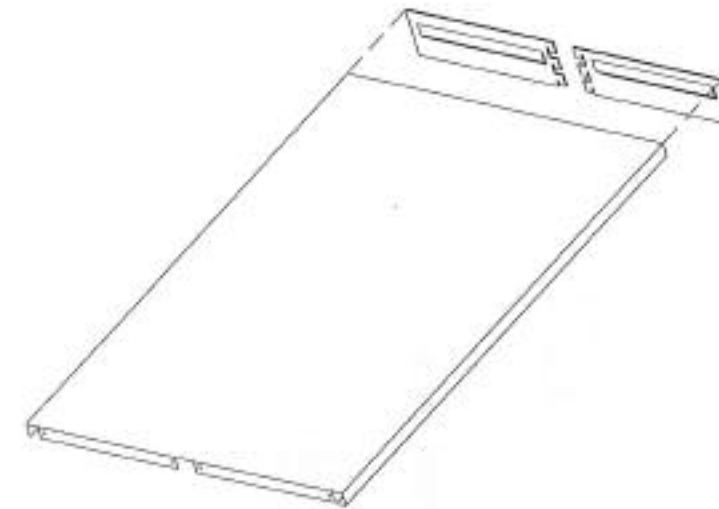
Adder canopy top comes with 1 bracket only.



Double Faced

CATALOG NO.	SIZE	WEIGHT	PRICE
S3-TOP3618-A	36 x 18	10	\$77.93
S3-TOP3620-A	36 x 20	11	78.69
S3-TOP3622-A	36 x 22	12	87.09
S3-TOP3626-A	36 x 26	14	95.81
S3-TOP3634-A	36 x 34	17	116.97

Adder canopy top comes with 2 brackets only.



Steel End Panels (Single Faced)

CATALOG NO.	ACTUAL SIZE	WEIGHT	PRICE
S3-END0942	10 ⁹ / ₁₆ X 40 ⁵ / ₈	11	\$139.05
S3-END1042	11 ⁹ / ₁₆ X 40 ⁵ / ₈	12	140.34
S3-END1142	12 ⁹ / ₁₆ X 40 ⁵ / ₈	13	143.64
S3-END1342	14 ⁹ / ₁₆ X 40 ⁵ / ₈	14	147.37
S3-END1442HP	15 ⁹ / ₁₆ X 40 ⁵ / ₈	15	147.37
S3-END1742	18 ⁹ / ₁₆ X 40 ⁵ / ₈	17	162.05
S3-END0960	10 ⁹ / ₁₆ X 58 ⁵ / ₈	16	155.86
S3-END1060	11 ⁹ / ₁₆ X 58 ⁵ / ₈	17	156.78
S3-END1160	12 ⁹ / ₁₆ X 58 ⁵ / ₈	18	161.98
S3-END1360	14 ⁹ / ₁₆ X 58 ⁵ / ₈	19 ¹ / ₂	166.63
S3-END1460HP	15 ⁹ / ₁₆ X 58 ⁵ / ₈	20 ¹ / ₂	166.63
S3-END1760	18 ⁹ / ₁₆ X 58 ⁵ / ₈	24	186.95
S3-END0966	10 ⁹ / ₁₆ X 64 ⁵ / ₈	18	171.14
S3-END1066	11 ⁹ / ₁₆ X 64 ⁵ / ₈	19	172.43
S3-END1166	12 ⁹ / ₁₆ X 64 ⁵ / ₈	20	177.25
S3-END1366	14 ⁹ / ₁₆ X 64 ⁵ / ₈	21 ¹ / ₂	183.29
S3-END1466HP	15 ⁹ / ₁₆ X 64 ⁵ / ₈	22 ¹ / ₂	183.29
S3-END1766	18 ⁹ / ₁₆ X 64 ⁵ / ₈	26	205.68
S3-END0972	10 ⁹ / ₁₆ X 70 ⁵ / ₈	20	179.54
S3-END1072	11 ⁹ / ₁₆ X 70 ⁵ / ₈	21	180.77
S3-END1172	12 ⁹ / ₁₆ X 70 ⁵ / ₈	22	186.43
S3-END1372	14 ⁹ / ₁₆ X 70 ⁵ / ₈	24	193.15
S3-END1472HP	15 ⁹ / ₁₆ X 70 ⁵ / ₈	25	193.15
S3-END1772	18 ⁹ / ₁₆ X 70 ⁵ / ₈	29	217.67
S3-END0978	10 ⁹ / ₁₆ X 76 ⁵ / ₈	22	194.83
S3-END1078	11 ⁹ / ₁₆ X 76 ⁵ / ₈	23	195.89
S3-END1178	12 ⁹ / ₁₆ X 76 ⁵ / ₈	24	201.70
S3-END1378	14 ⁹ / ₁₆ X 76 ⁵ / ₈	26	209.70
S3-END1478HP	15 ⁹ / ₁₆ X 76 ⁵ / ₈	27	209.20
S3-END1778	18 ⁹ / ₁₆ X 76 ⁵ / ₈	31	235.85
S3-END0984	10 ⁹ / ₁₆ X 82 ⁵ / ₈	24	200.94
S3-END1084	11 ⁹ / ₁₆ X 82 ⁵ / ₈	24 ¹ / ₂	202.31
S3-END1184	12 ⁹ / ₁₆ X 82 ⁵ / ₈	25 ¹ / ₂	209.34
S3-END1384	14 ⁹ / ₁₆ X 82 ⁵ / ₈	27 ¹ / ₂	216.83
S3-END1484HP	15 ⁹ / ₁₆ X 82 ⁵ / ₈	28 ¹ / ₂	216.83
S3-END1784	18 ⁹ / ₁₆ X 82 ⁵ / ₈	33	244.96
S3-END0990	10 ⁹ / ₁₆ X 88 ⁵ / ₈	25	209.34
S3-END1090	11 ⁹ / ₁₆ X 88 ⁵ / ₈	26	210.87
S3-END1190	12 ⁹ / ₁₆ X 88 ⁵ / ₈	27	220.04
S3-END1390	14 ⁹ / ₁₆ X 88 ⁵ / ₈	29	225.91
S3-END1490HP	15 ⁹ / ₁₆ X 88 ⁵ / ₈	30	225.91
S3-END1790	18 ⁹ / ₁₆ X 88 ⁵ / ₈	36	256.47

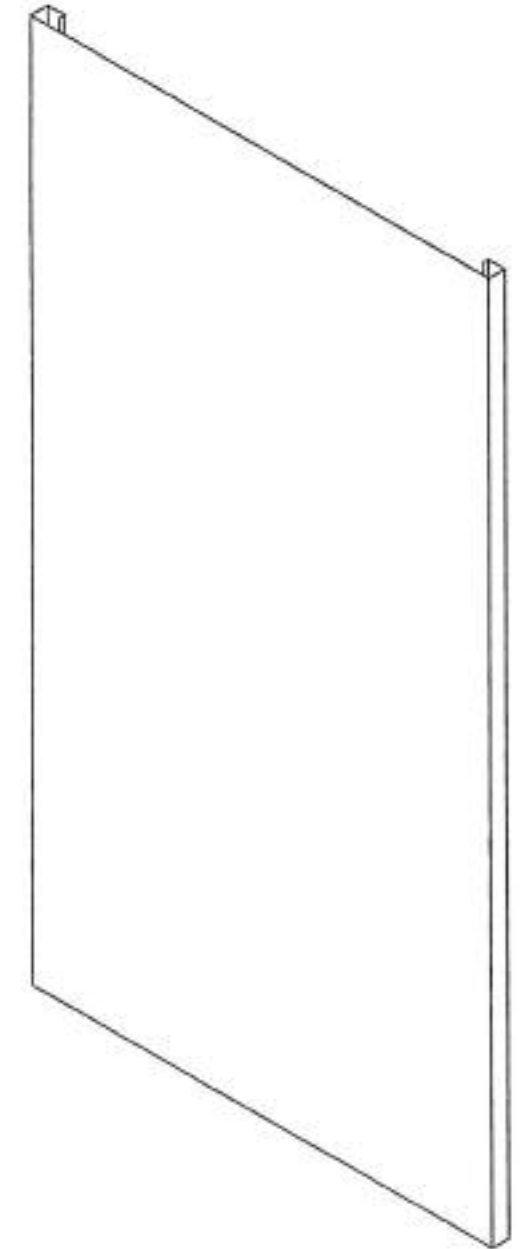
Each end panel will add 7/16" to the length of a range.



Steel End Panels (Double Faced)

CATALOG NO.	ACTUAL SIZE	WEIGHT	PRICE
S3-END1842	18 ¹ / ₂ X 40 ⁵ / ₈	20	\$183.36
S3-END2042	20 ¹ / ₂ X 40 ⁵ / ₈	21	185.12
S3-END2242	22 ¹ / ₂ X 40 ⁵ / ₈	22	191.00
S3-END2642	26 ¹ / ₂ X 40 ⁵ / ₈	24	199.72
S3-END2842HP	28 ¹ / ₂ X 40 ⁵ / ₈	26	199.72
S3-END3442	34 ¹ / ₂ X 40 ⁵ / ₈	31	231.42
S3-END1860	18 ¹ / ₂ X 58 ⁵ / ₈	29	227.67
S3-END2060	20 ¹ / ₂ X 58 ⁵ / ₈	30	229.82
S3-END2260	22 ¹ / ₂ X 58 ⁵ / ₈	32	239.90
S3-END2660	26 ¹ / ₂ X 58 ⁵ / ₈	35	255.49
S3-END2860HP	28 ¹ / ₂ X 58 ⁵ / ₈	37	255.49
S3-END3460	34 ¹ / ₂ X 58 ⁵ / ₈	42	286.05
S3-END1866	18 ¹ / ₂ X 64 ⁵ / ₈	31	236.85
S3-END2066	20 ¹ / ₂ X 64 ⁵ / ₈	32	239.36
S3-END2266	22 ¹ / ₂ X 64 ⁵ / ₈	34	247.55
S3-END2666	26 ¹ / ₂ X 64 ⁵ / ₈	37	261.84
S3-END2866HP	28 ¹ / ₂ X 64 ⁵ / ₈	39	261.84
S3-END3466	34 ¹ / ₂ X 64 ⁵ / ₈	44	293.99
S3-END1872	18 ¹ / ₂ X 70 ⁵ / ₈	36	265.89
S3-END2072	20 ¹ / ₂ X 70 ⁵ / ₈	37	268.17
S3-END2272	22 ¹ / ₂ X 70 ⁵ / ₈	39	278.11
S3-END2672	26 ¹ / ₂ X 70 ⁵ / ₈	42	294.67
S3-END2872HP	28 ¹ / ₂ X 70 ⁵ / ₈	44	294.67
S3-END3472	34 ¹ / ₂ X 70 ⁵ / ₈	49	311.48
S3-END1878	18 ¹ / ₂ X 76 ⁵ / ₈	38	275.05
S3-END2078	20 ¹ / ₂ X 76 ⁵ / ₈	39	277.72
S3-END2278	22 ¹ / ₂ X 76 ⁵ / ₈	41	287.27
S3-END2678	26 ¹ / ₂ X 76 ⁵ / ₈	44	304.24
S3-END2878HP	28 ¹ / ₂ X 76 ⁵ / ₈	46	304.24
S3-END3478	34 ¹ / ₂ X 76 ⁵ / ₈	51	321.05
S3-END1884	18 ¹ / ₂ X 82 ⁵ / ₈	40	301.02
S3-END2084	20 ¹ / ₂ X 82 ⁵ / ₈	41	303.02
S3-END2284	22 ¹ / ₂ X 82 ⁵ / ₈	43	308.67
S3-END2684	26 ¹ / ₂ X 82 ⁵ / ₈	47	317.53
S3-END2884HP	28 ¹ / ₂ X 82 ⁵ / ₈	49	317.53
S3-END3484	34 ¹ / ₂ X 82 ⁵ / ₈	54	349.61
S3-END1890	18 ¹ / ₂ X 88 ⁵ / ₈	43	313.24
S3-END2090	20 ¹ / ₂ X 88 ⁵ / ₈	44	315.70
S3-END2290	22 ¹ / ₂ X 88 ⁵ / ₈	46	322.42
S3-END2690	26 ¹ / ₂ X 88 ⁵ / ₈	51	333.65
S3-END2890HP	28 ¹ / ₂ X 88 ⁵ / ₈	53	333.65
S3-END3490	34 ¹ / ₂ X 88 ⁵ / ₈	58	381.39

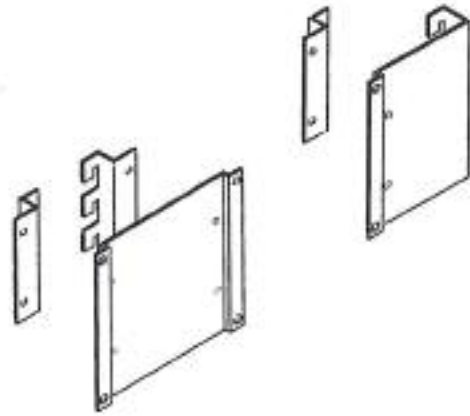
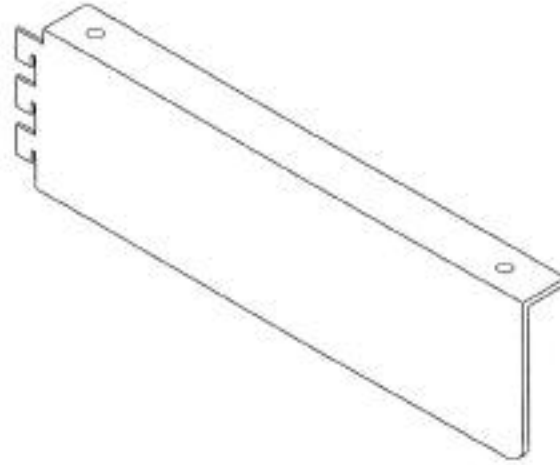
Each end panel will add 7/16" to the length of a range.



Brackets For Wood Tops (Come In Pairs)

CATALOG NO.	SIZE	WEIGHT	PRICE
S3-WOODBKT10	10"	1½	\$13.51

NOTE: This size is used on all depth units.



Brackets For Wood End Panels

CATALOG NO.	SIZE	WEIGHT	PRICE
S3-WOODEPBKT-SF	SF	5	\$31.78
S3-WOODEPBKT-DF	DF	7	47.67

Findable Book Support

CATALOG NO.	SIZE	WEIGHT	PRICE
S3-FIND6	6"	1	\$3.89
S3-FIND9	9"	1½	5.52
Cork available on above.			2.43

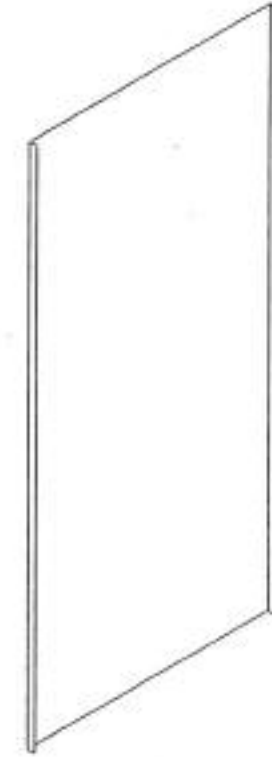
Can be used on flat shelves or integral back shelves.



Closed Backs

CATALOG NO.	SIZE	WEIGHT	PRICE
S3-BACK3642	36 x 42	23	\$198.33
S3-BACK3660	36 x 60	35	264.89
S3-BACK3666	36 x 66	39	291.40
S3-BACK3672	36 x 72	42½	308.89
S3-BACK3678	36 x 78	45	334.71
S3-BACK3684	36 x 84	46½	352.22
S3-BACK3690	36 x 90	54	373.83

Closed backs fit between top and bottom cross bars. Actual height of closed back is 9¼" less than the nominal height of the unit.



Wall Column Strips

CATALOG NO.	SIZE	WEIGHT	PRICE
S3-COL42	1 ³ / ₁₆ x 42	3	\$30.97
S3-COL60	1 ³ / ₁₆ x 60	5	36.02
S3-COL66	1 ³ / ₁₆ x 66	5½	36.82
S3-COL72	1 ³ / ₁₆ x 72	6	37.62
S3-COL78	1 ³ / ₁₆ x 78	6½	38.41
S3-COL84	1 ³ / ₁₆ x 84	7	39.22
S3-COL90	1 ³ / ₁₆ x 90	8	40.02

Two column strips are used for each starter section and one for each adder section. Ideal for areas above desks or where baseboard heating interferes with placing a closed base unit against the wall.



Corner Filler

CATALOG NO.	SIZE	WEIGHT	PRICE
S3-CORNER	SPECIFY	78	\$309.07

Filler comes complete with two sides and a top cap. Used in corner to fill in the space where two single faced units meet together.



Intermediate Filler

CATALOG NO.	SIZE	WEIGHT	PRICE
S3-INTER	SPECIFY	96	\$564.93

Filler comes with two sides, a front, and a top cap. Used where double faced units meet single faced units along a wall.

Column Extender

CATALOG NO.	SIZE	WEIGHT	PRICE
S3-CEXT12	12"	4	\$33.66

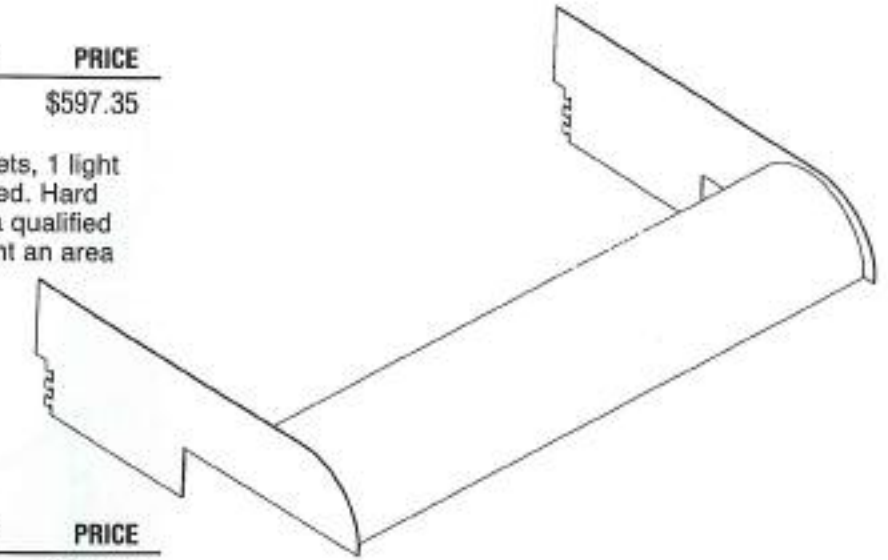
Used to increase the height of a unit. Splice plate of extender is bolted to the column where the top cross bar was located. Top cross bar is then rebolted at the top of the extender. Wall anchors are not included.



Light Fixture

CATALOG NO.	SIZE	WEIGHT	PRICE
S3-LIGHT36-S	36"	14	\$597.35

Starter light comes with 1 pair of brackets, 1 light fixture, and 1 bulb. Wiring is not included. Hard wiring must be done at the job site by a qualified electrician. Light is designed to highlight an area but not to completely light the aisle.



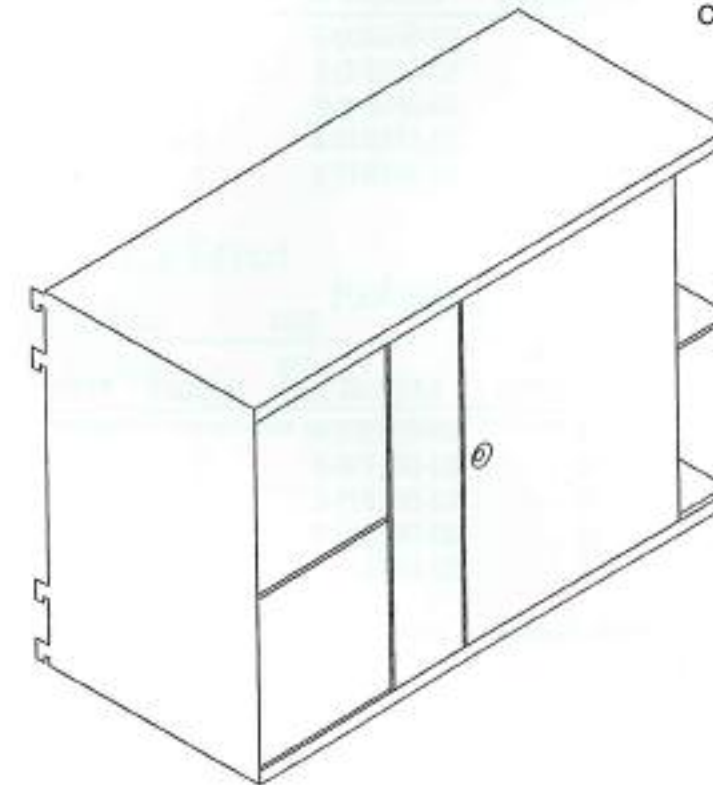
CATALOG NO.	SIZE	WEIGHT	PRICE
S3-LIGHT36-A	36"	12	\$597.35

Adder light comes with 1 intermediate bracket, 1 light fixture and 1 bulb.

Steel Cabinet With 2 Sliding Doors

CATALOG NO.	SIZE	WEIGHT	PRICE
S3-SSCAB361724	36W x 17D x 24H	65	\$665.94

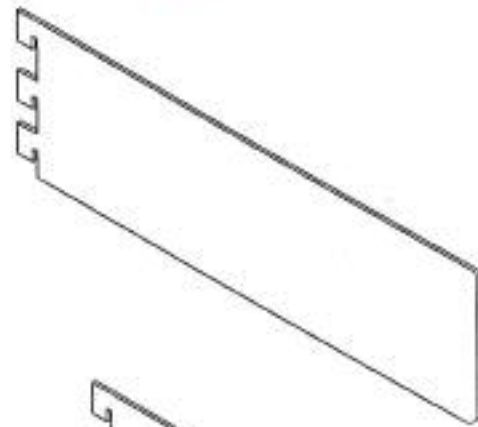
Comes with lock and one adjustable shelf.



Flat End Brackets (3" High)

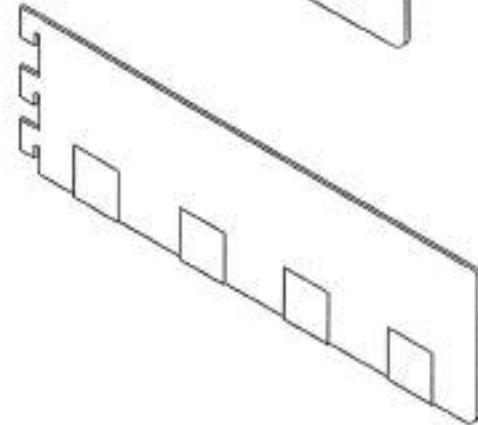
Single Bracket

NOMINAL SHELF DEPTH	CATALOG NO.	WEIGHT	PRICE
9	S3-SFEB09-3	¾	\$5.69
10	S3-SFEB10-3	¾	5.84
11	S3-SFEB11-3	1	6.15
13	S3-SFEB13-3	1	6.45
17	S3-SFEB17-3	1¼	9.06



Double Bracket

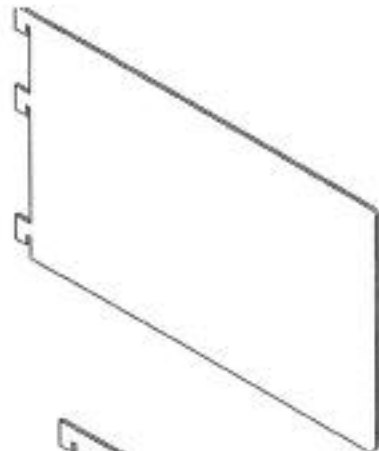
NOMINAL SHELF DEPTH	CATALOG NO.	WEIGHT	PRICE
9	S3-DFEB09-3	¾	\$6.08
10	S3-DFEB10-3	¾	6.25
11	S3-DFEB11-3	1	6.56
13	S3-DFEB13-3	1	6.88
17	S3-DFEB17-3	1¼	9.68



Flat End Bracket (6" High)

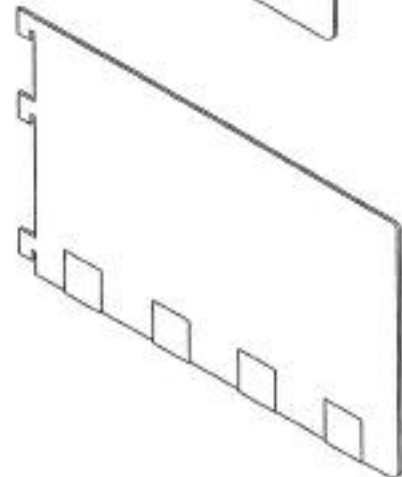
Single Bracket

NOMINAL SHELF DEPTH	CATALOG NO.	WEIGHT	PRICE
9	S3-SFEB09-6	1	\$6.29
10	S3-SFEB10-6	1¼	6.66
11	S3-SFEB11-6	1¼	7.12
13	S3-SFEB13-6	1½	7.95
17	S3-SFEB17-6	2	9.52



Double Bracket

NOMINAL SHELF DEPTH	CATALOG NO.	WEIGHT	PRICE
9	S3-DFEB09-6	1	\$6.72
10	S3-DFEB10-6	1¼	7.12
11	S3-DFEB11-6	1¼	7.60
13	S3-DFEB13-6	1½	8.49
17	S3-DFEB17-6	2	10.17

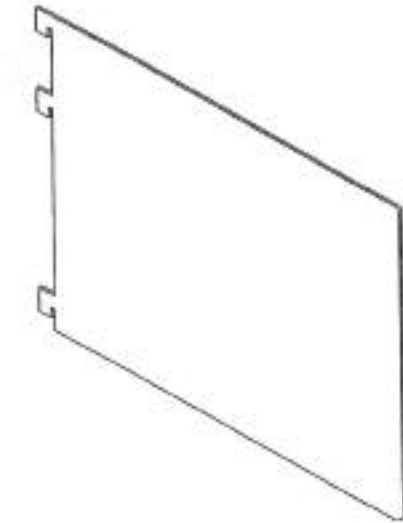


Note: Price is for each bracket

Flat End Bracket (8" High)

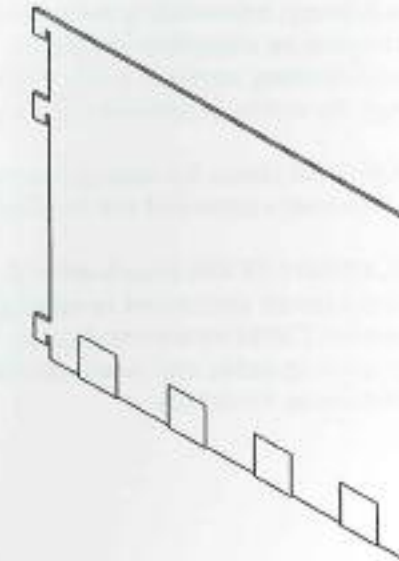
Single Bracket

NOMINAL SHELF DEPTH	CATALOG NO.	WEIGHT	PRICE
9	S3-SFEB09-8	1¼	\$8.62
10	S3-SFEB10-8	1½	8.99
11	S3-SFEB11-8	1½	9.36
13	S3-SFEB13-8	1¾	10.27
14	S3-SFEB14-8-HP	2	10.27
17	S3-SFEB17-8	2¼	12.75



Double Bracket

NOMINAL SHELF DEPTH	CATALOG NO.	WEIGHT	PRICE
9	S3-DFEB09-8	1¼	\$9.20
10	S3-DFEB10-8	1½	9.60
11	S3-DFEB11-8	1½	10.00
13	S3-DFEB13-8	1¾	10.96
14	S3-DFEB14-8-HP	2	10.96
17	S3-DFEB17-8	2¼	13.61

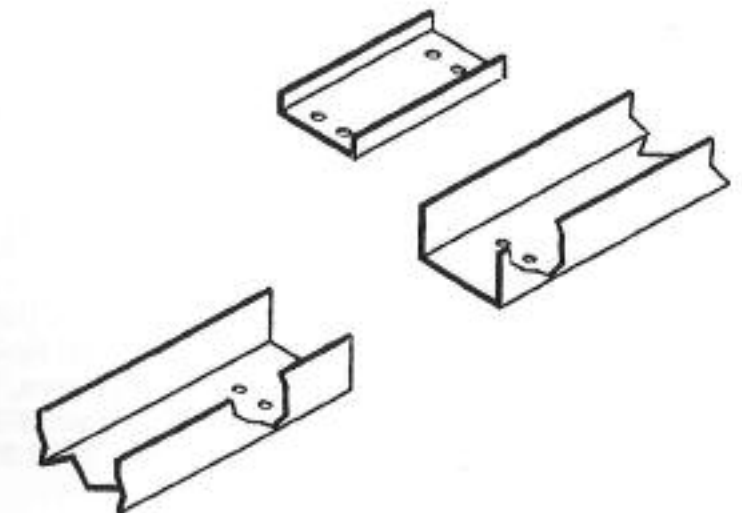


NOTE: Price is for each bracket.

Top Tie Strut

CATALOG NO.	SIZE	WEIGHT	PRICE
S3-STRUT96	96"	6	\$27.44

Fasten with tek screws to cross bar. Tek screws not included.



Terms and Conditions

1. **SPECIFICATIONS:** Complete product specifications are available upon request. All specifications (including design, material, finish and packaging) are subject to change without notice.
2. **SPECIAL SIZES AND CONSTRUCTION AVAILABLE:** Special sizes and construction can be made to order. Write factory for prices.
3. **MINIMUM ORDER:** There is a minimum order size of \$100.00 net for material shipped from the factory.
4. **TERMS:** 1% discount, on material only, if invoice is paid within 10 days. Net 30 days from date of invoice.
5. **CANCELLATION CHARGE:** There will be a charge for the cancellation of any order which has been entered into production. Contact factory for exact amount of penalty.
6. **COLOR POLICY:** All standard colors shown on the MJ "Paint Color Selector" are available at no additional charge. Refer to Paint Color Selector for specific details.
7. **DELIVERY:** Contact factory for details and charges. Delivery is F.O.B. Georgetown, Massachusetts.
8. **GUARANTEE:** MJ products are guaranteed to be free of mechanical defects of any nature whatsoever for a period of one year.
9. **ROUTING SHIPMENTS:** Unless preferred routing is specified on order, shipment will be made best way. All transportation charges collect unless otherwise requested.
10. **DAMAGE IN TRANSIT:** For your protection, do not accept any merchandise until it is examined carefully for external or internal damage and shortage. If damage is external, request delivering carrier to make notation of damage on freight bill - before you sign it. If damage is concealed, and is discovered after delivery, immediately notify delivering carrier and request an immediate inspection. **IMPORTANT -** when delivering carrier is given a signed (or clear) receipt, the carrier is released of all responsibilities.
11. **CLAIMS:** All claims for damages must be filed with the delivering carrier and not the shipper.
12. **RETURNED GOODS:** Merchandise may not be returned unless authorized in writing by MJ Industries. Credit for returned goods will depend on item, color, quantity and reason for return. Contact MJ Industries for details.

MJ INDUSTRIES
A DIVISION OF BME ENGINEERING, INC.
LIBRARY SHELVING SPECIALISTS
P.O. Box 259
Georgetown, MA 01833
Telephone: (978) 352-6190
Fax: (978) 352-7072
